



TUGAS AKHIR



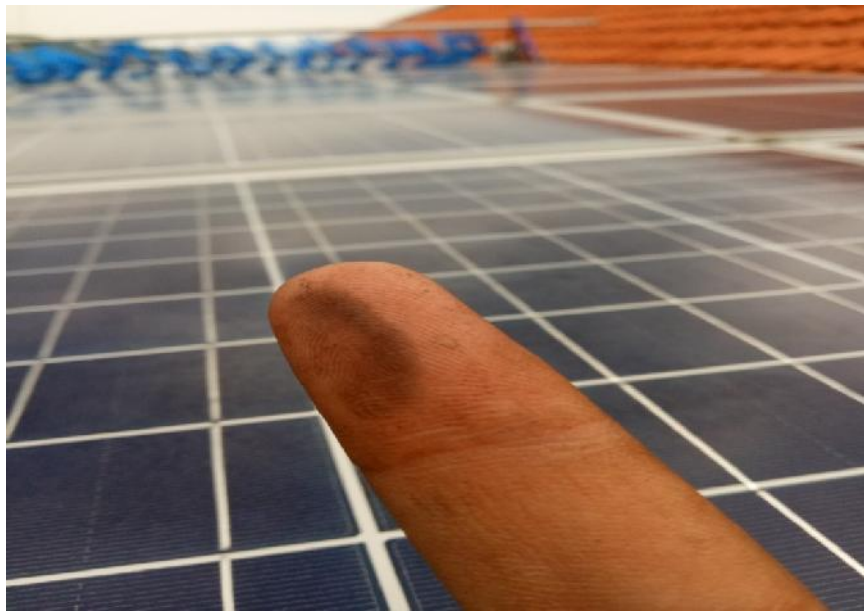
LAMPIRAN

A. Proses Pembersihan Fotovoltaic





B. Kotoran & Debu Fotovoltaik



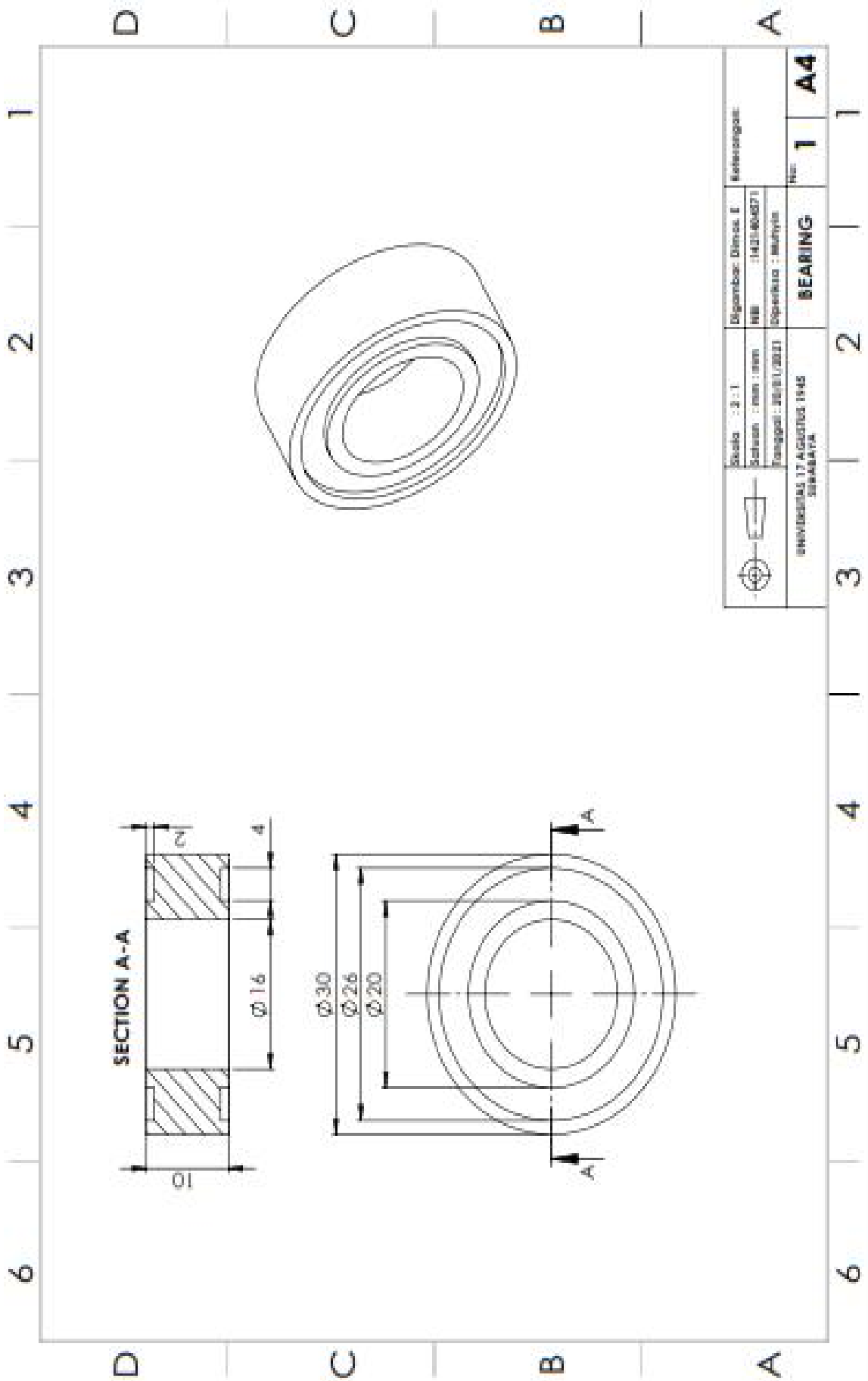


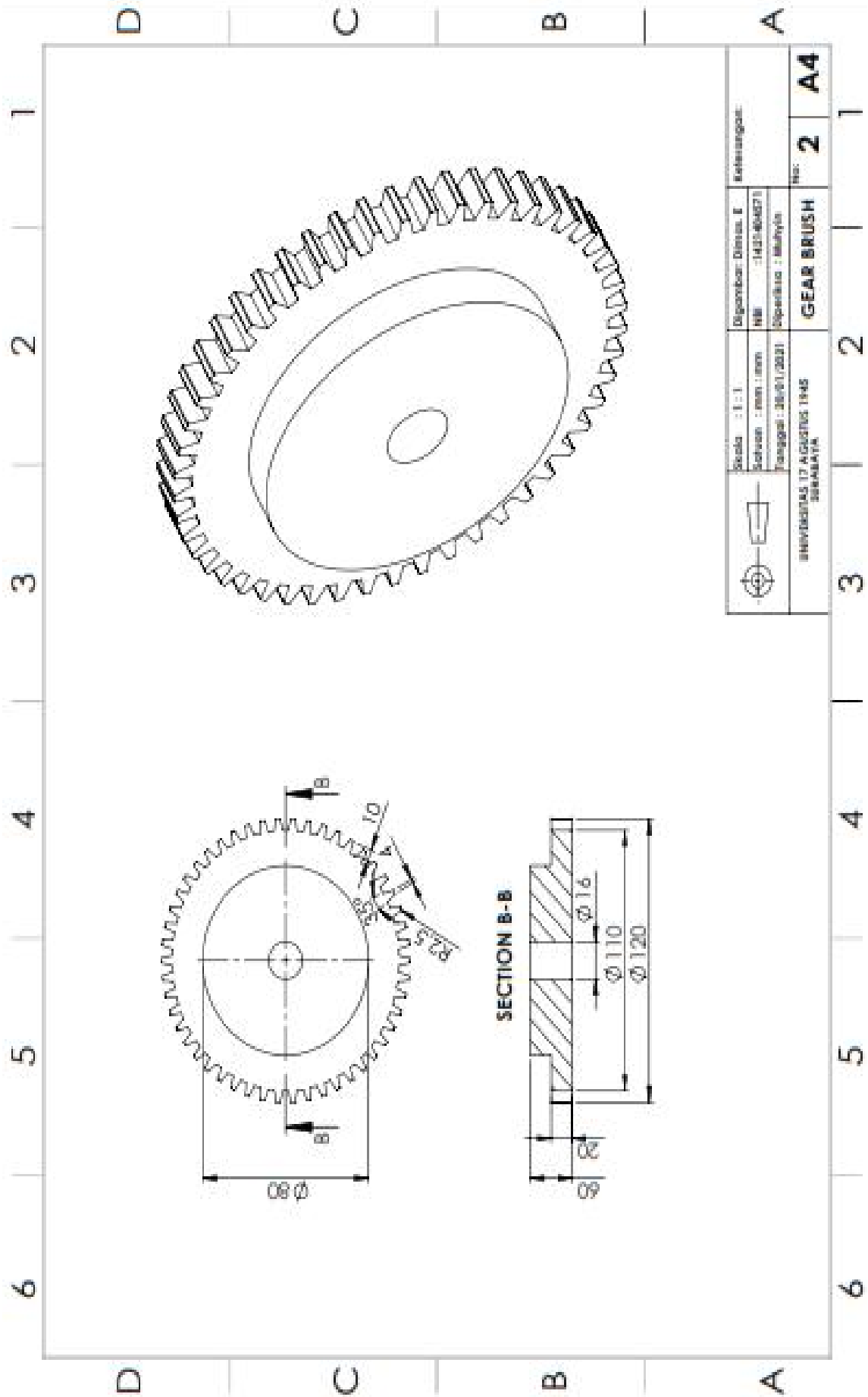
C. GAMBAR BAGIAN – BAGIAN MESIN

ITEM NO.	PART NAME	DESCRIPTION	MATERIAL	QTY.
1	Bearing	Ø 30 x 16 mm	Chrome SAE 52100	6
2	Gear Brush	Ø 120 mm	S30C	2
3	Gear Joint Brush	Ø 40 mm	Iron ASTM 25	2
4	Rubber	Ø 80 mm	EPDM 60 Durameter	2
5	As Joint	Ø 16 mm	Ductile Iron (SN)	3
6	Nut	Ø 16 mm	ASTM A36	12
7	Lenght	2000 mm	Ductile Iron (SN)	1
8	Brush	Ø 300 mm BRUSH	-	1
9	Trolley Wheel	Standard	-	4
10	As Frame	Ø 16 x 2150 mm	Ductile Iron (SN)	1
11	Motor	Standard	-	1
12	Frame	300 X 300 X 260 mm	Angle Iron 40x40 mm	1
13	Coupling	Standard	-	2

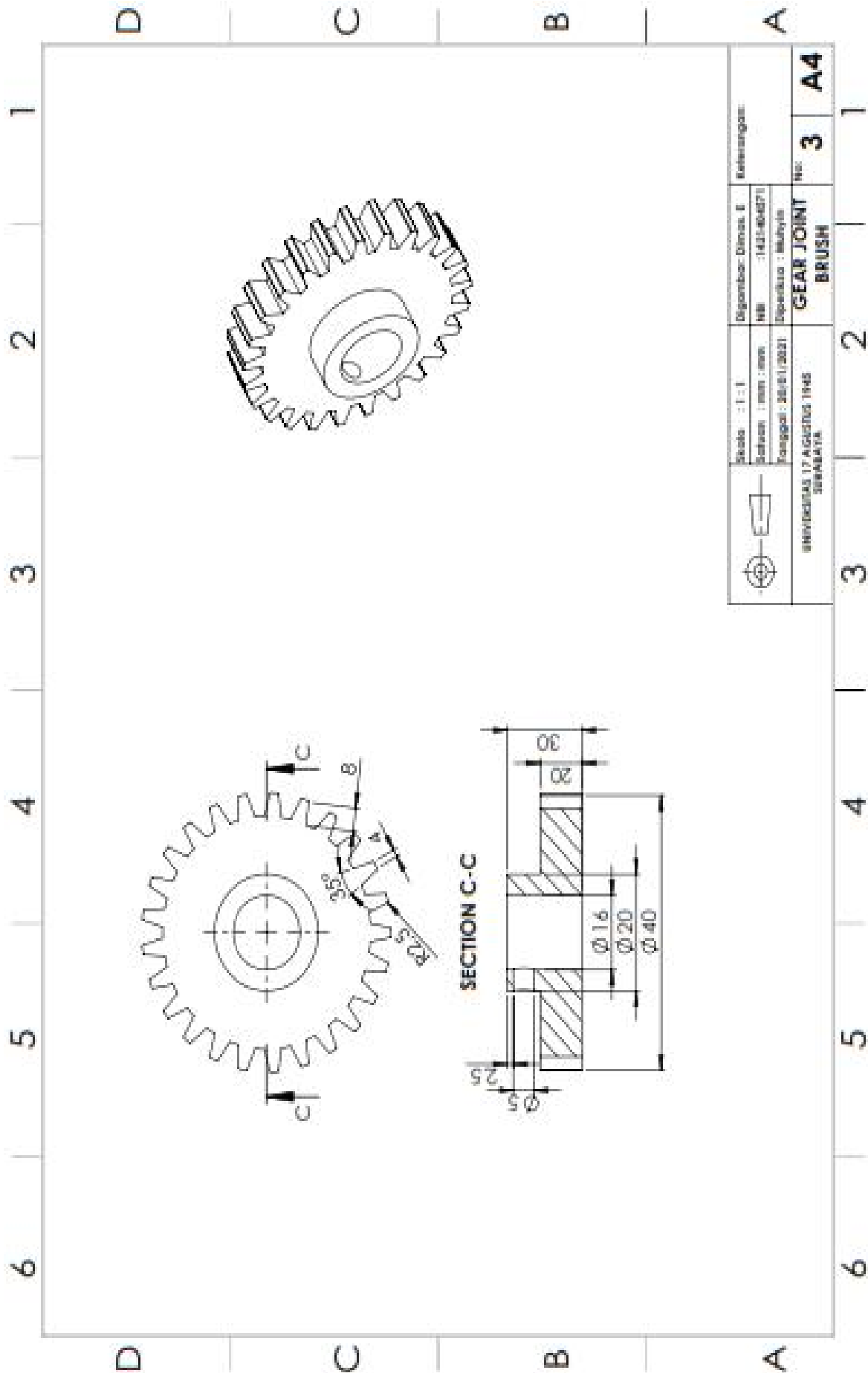


TUGAS AKHIR





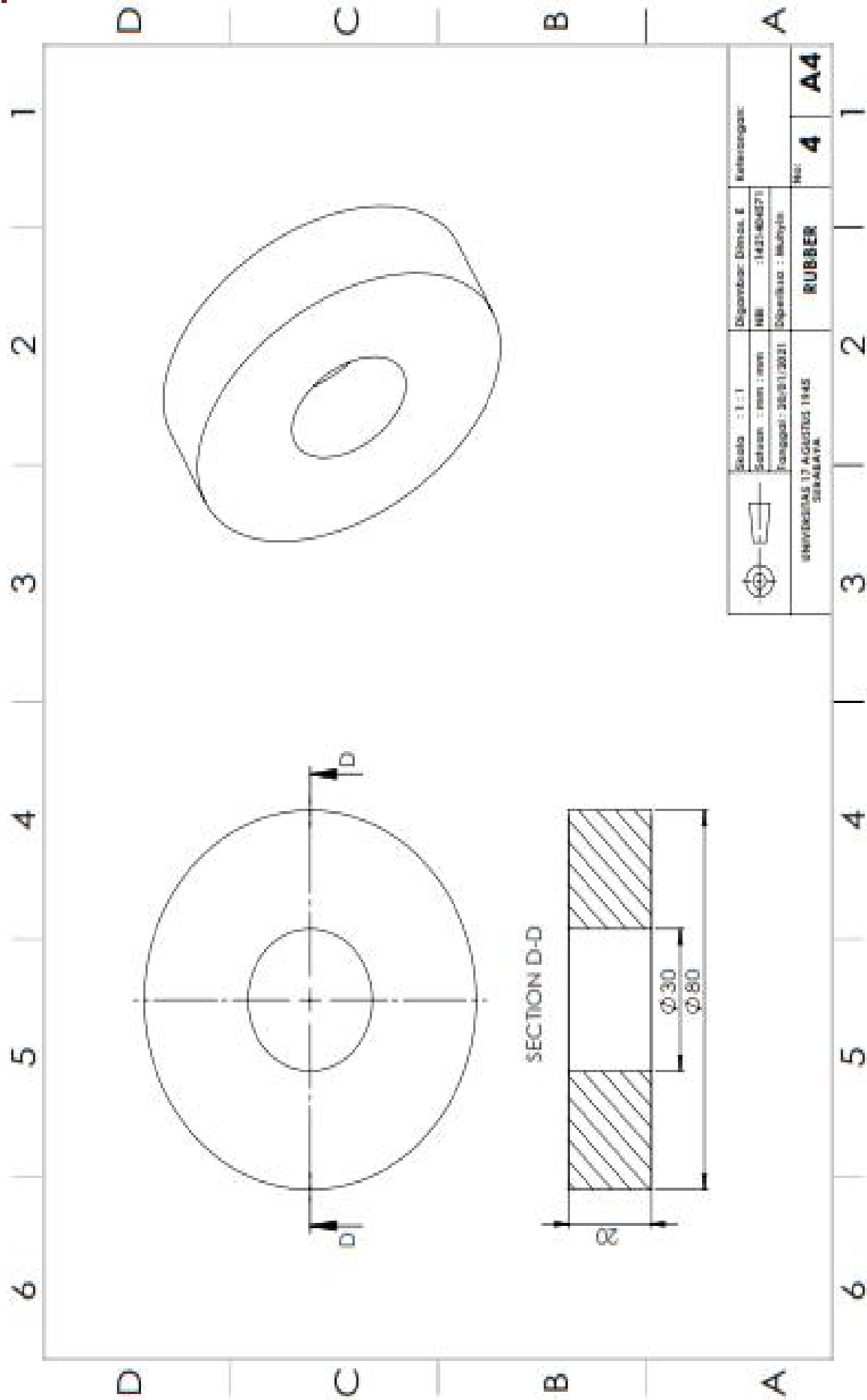
	Skala : 1 : 1	Digambar: Dimas, E	Kelas/anggot:
	Satuan : mm : mm	NIM : 14210404271	
	Tanggal : 28/01/2021	Asisten : Mulya	
INDIVIDUAL 17 AGOSTUS 1945 SUKABATA		GEAR BRUSH	No: 2 A4



	Skala : 1 : 1	Digambar: Dinae, I	Belisurigas:
	Salinan : mm : mm	NB : 143-84871	
	Tanggal : 20/01/2021	Diposkika : Muhyin	
UNIVERSITAS 17 AGUSTUS 1945 SEMARANG		GEAR JOINT BRUSH	
		No:	3 A4

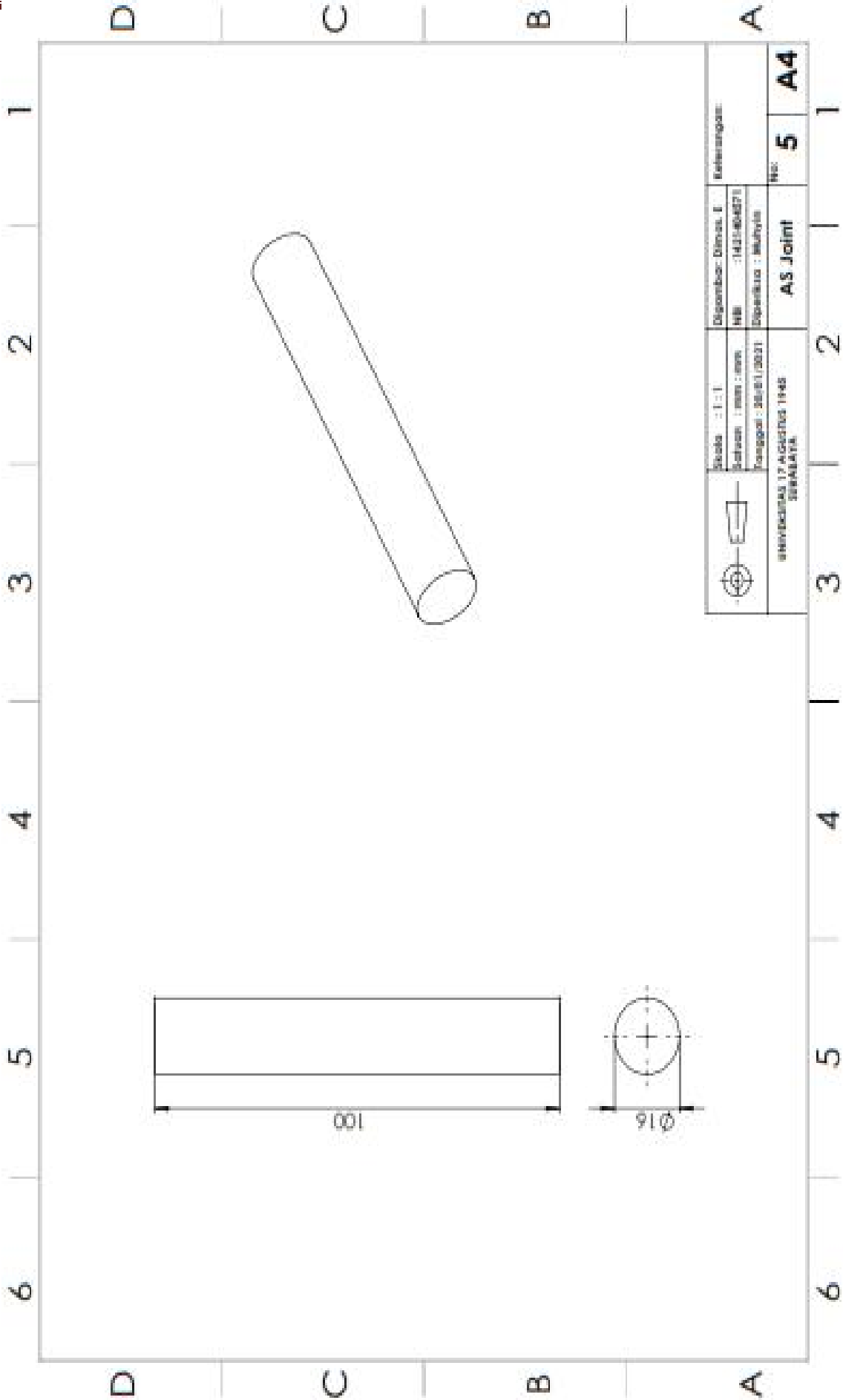


TUGAS AKHIR



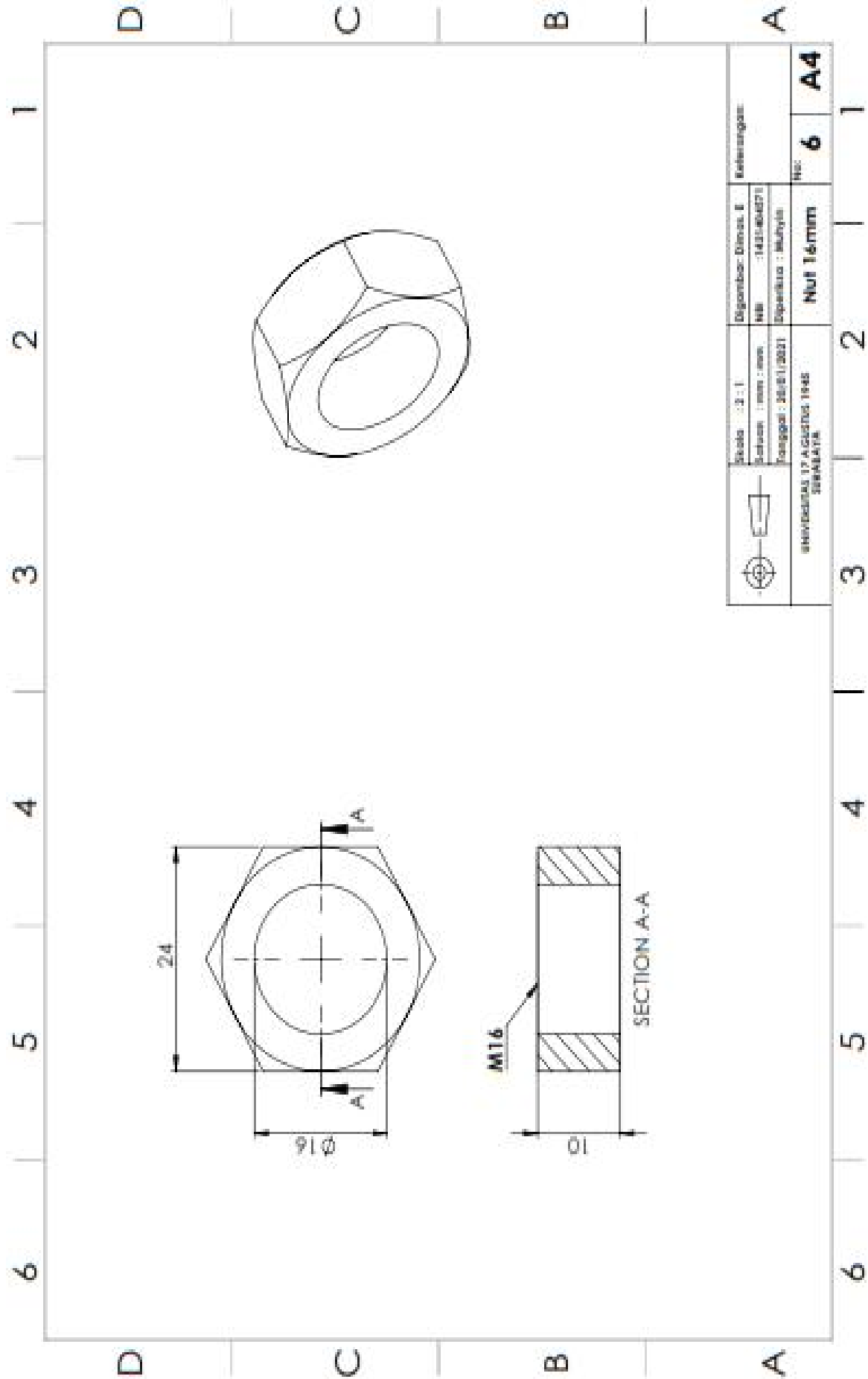


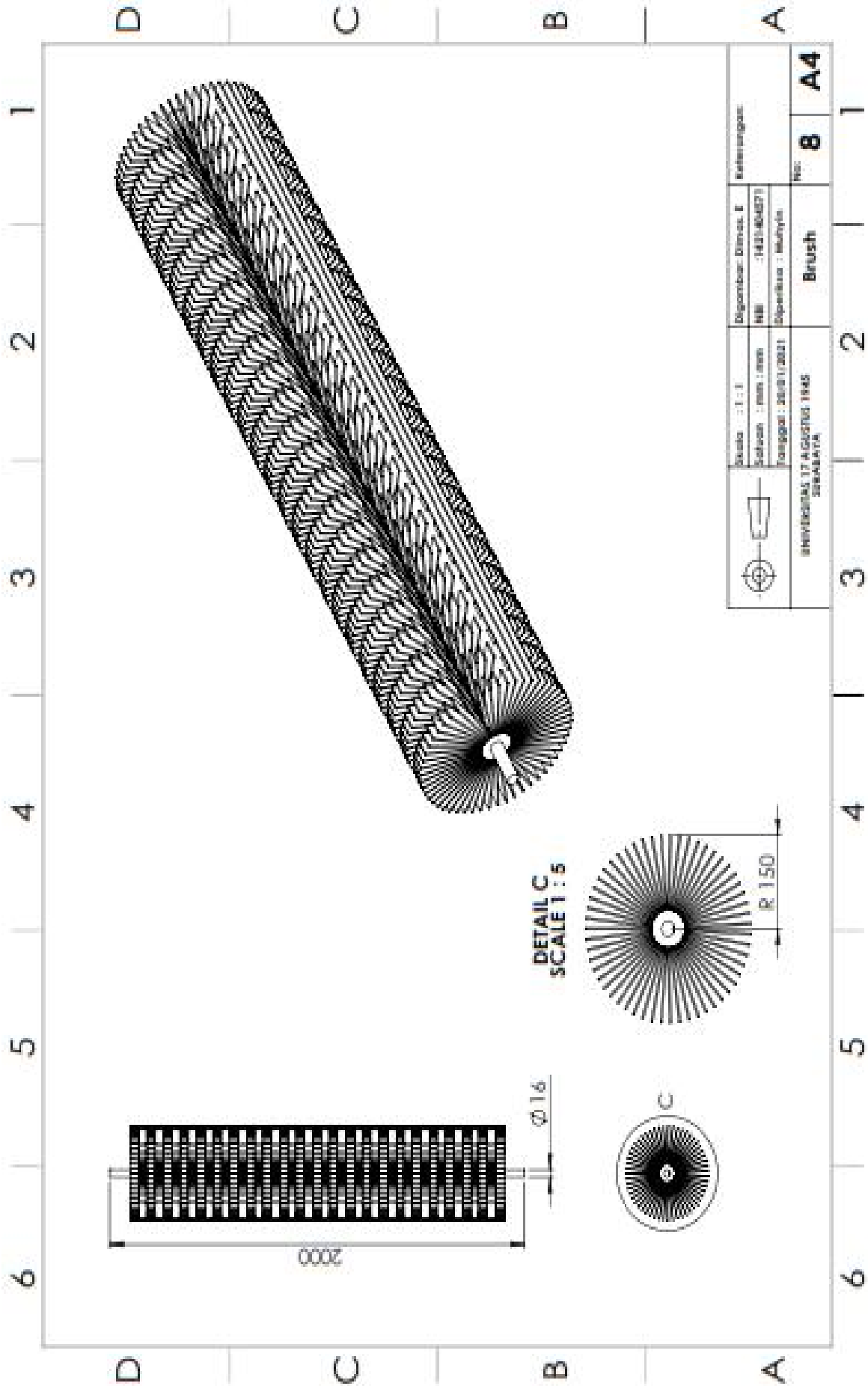
TUGAS AKHIR





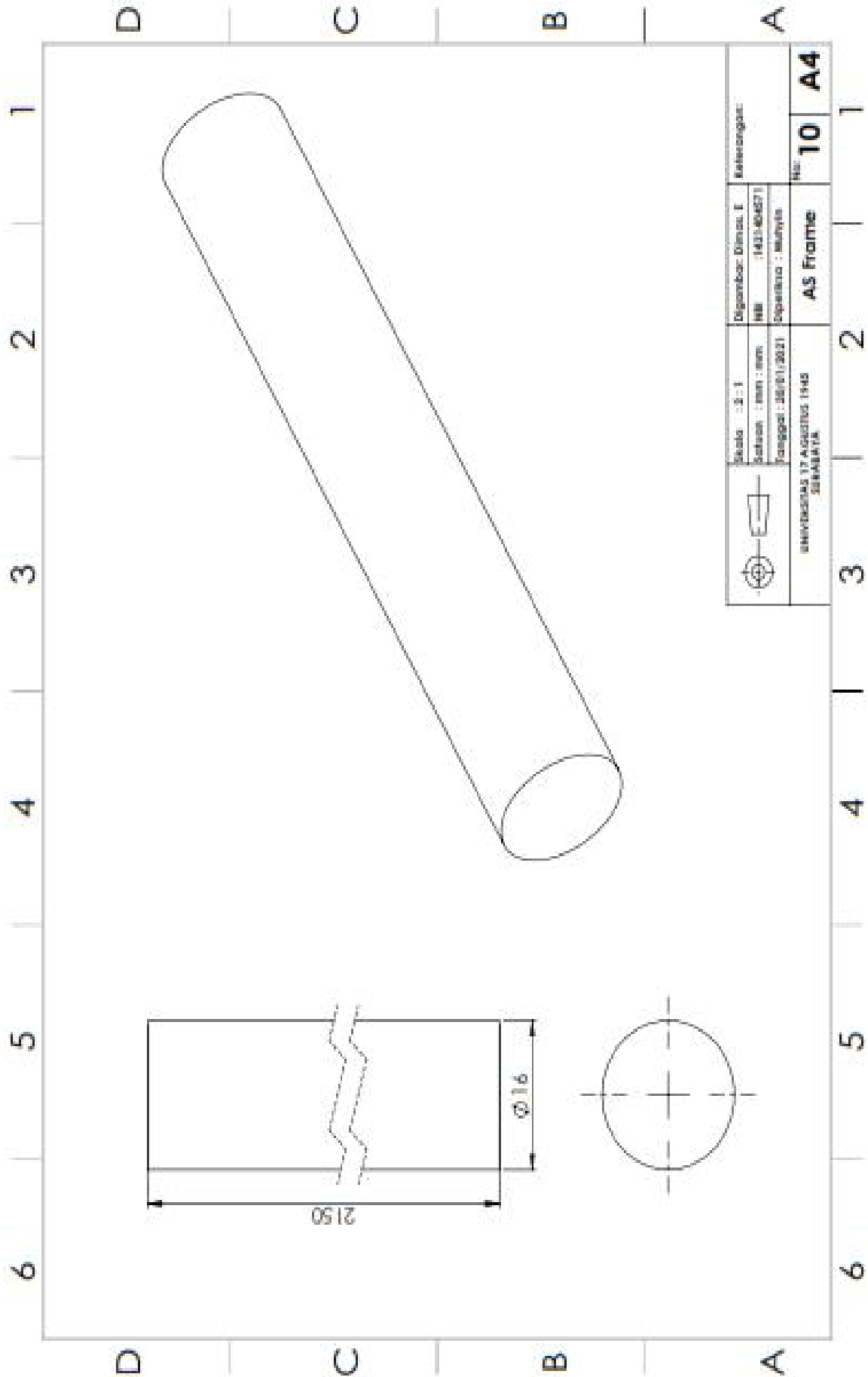
TUGAS AKHIR





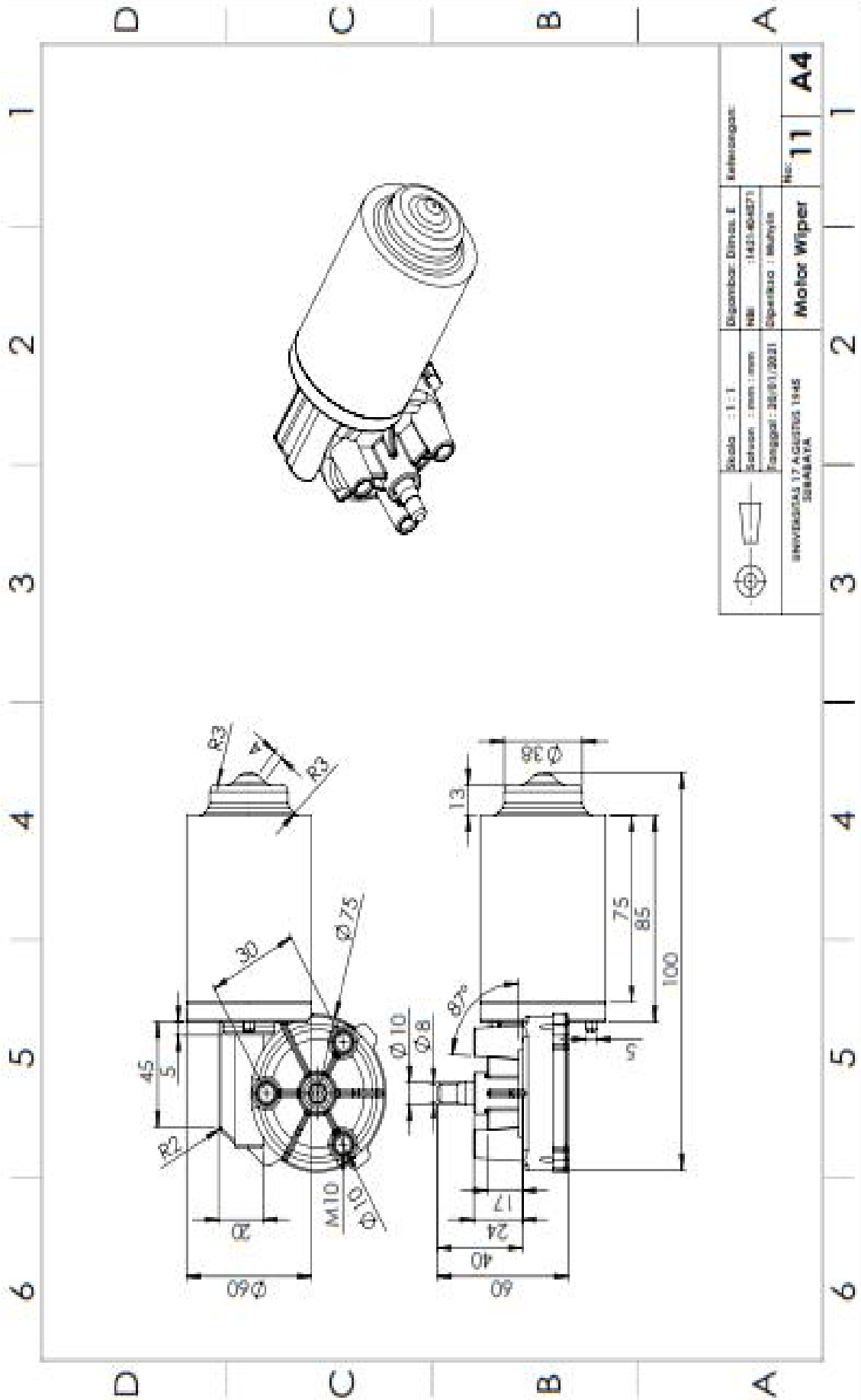


TUGAS AKHIR



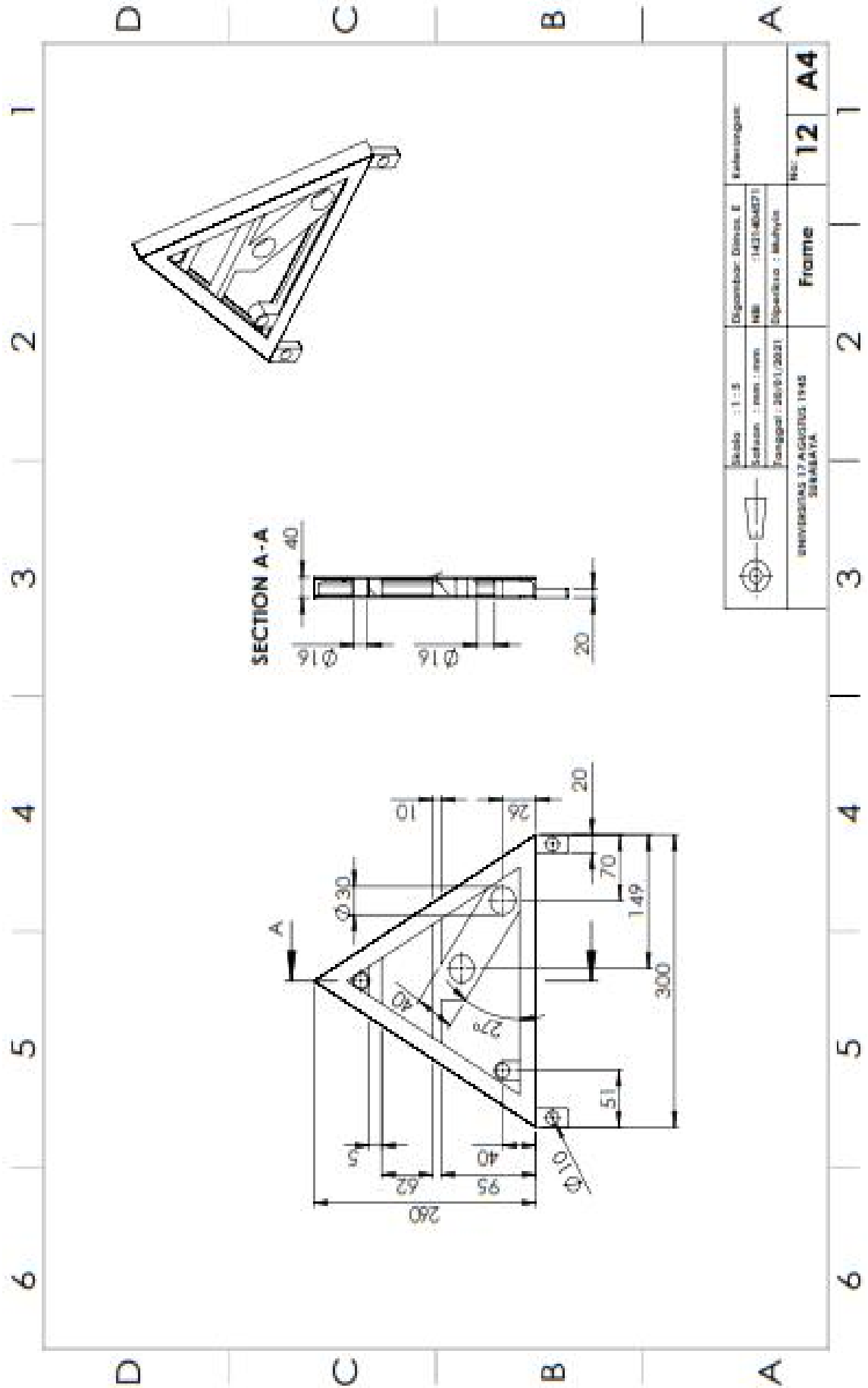


TUGAS AKHIR





TUGAS AKHIR





TUGAS AKHIR

