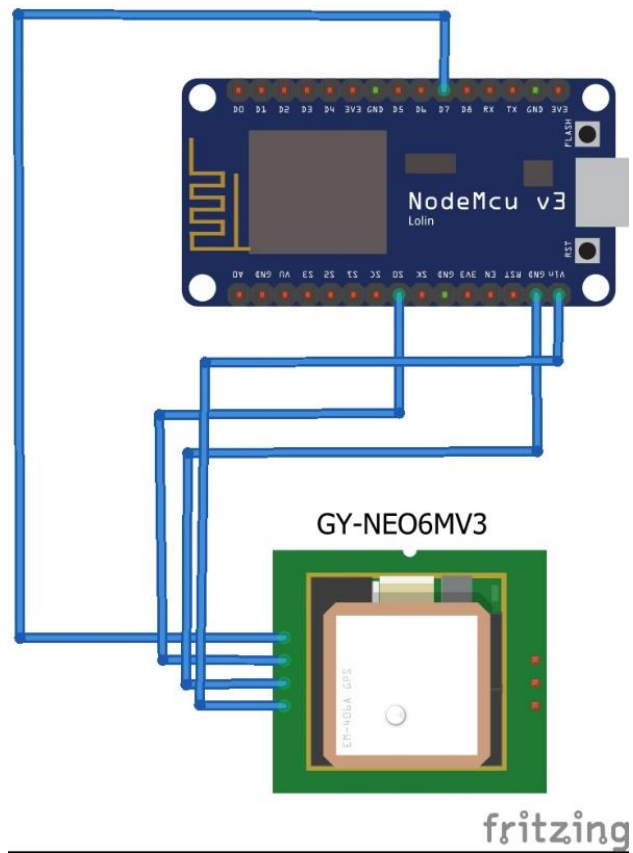


LAMPIRAN

Lampiran 1



Lampiran 2

PERANCANGAN SISTEM OPTIMASI RUTE TRUK SAMPAH MENGUNAKAN METODE VEHICLE ROUTING PROBLEM DAN MONITORING POSISI TRUK CV. KEBERSIHAN

ORIGINALITY REPORT

12%	9%	0%	9%
SIMILARITY INDEX	INTERNET SOURCES	PUBLICATIONS	STUDENT PAPERS

PRIMARY SOURCES

1	Submitted to Universitas 17 Agustus 1945 Surabaya Student Paper	5%
2	singgirevo.blogspot.sg Internet Source	2%
3	repo.pens.ac.id Internet Source	2%
4	faisalzm10.blogspot.com Internet Source	1%
5	repositori.uin-alauddin.ac.id Internet Source	1%
6	Submitted to UIN Sunan Kalijaga Yogyakarta Student Paper	1%
7	repository.usu.ac.id Internet Source	1%