

LAMPIRAN

Lampiran 9 Mesin Pemotong dan Pengupas Kentang



Lampiran 10 Hasil Kupasan Kentang



Lampiran 11 Hasil Potongan Kentang

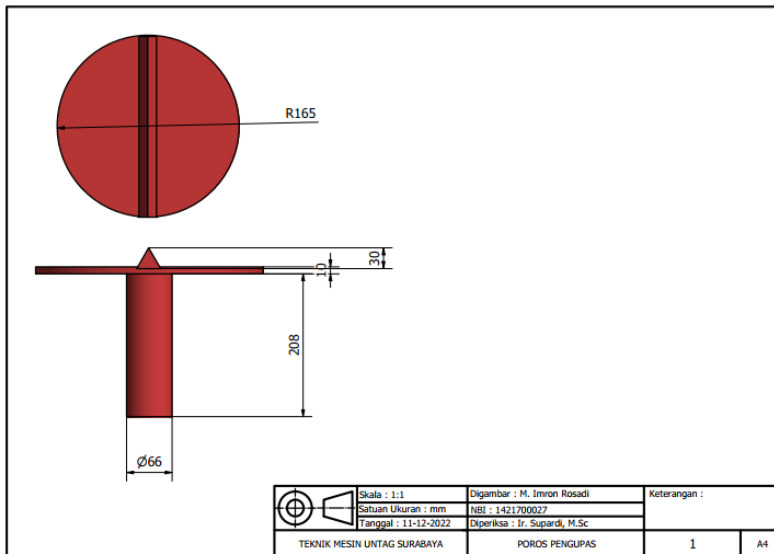


Lampiran 12 Hasil Sisa Kupasan Kentang

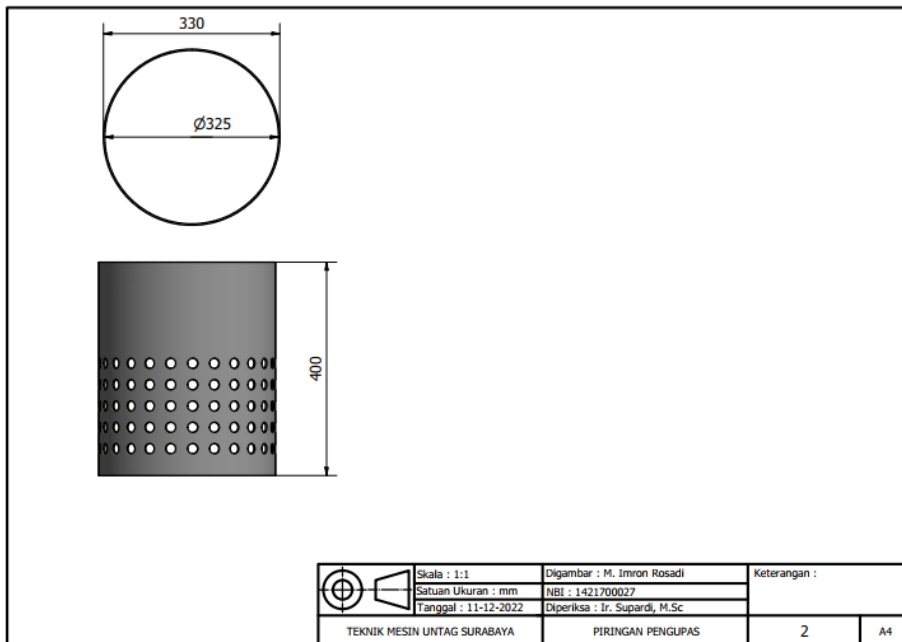


Lampiran gambar mesin

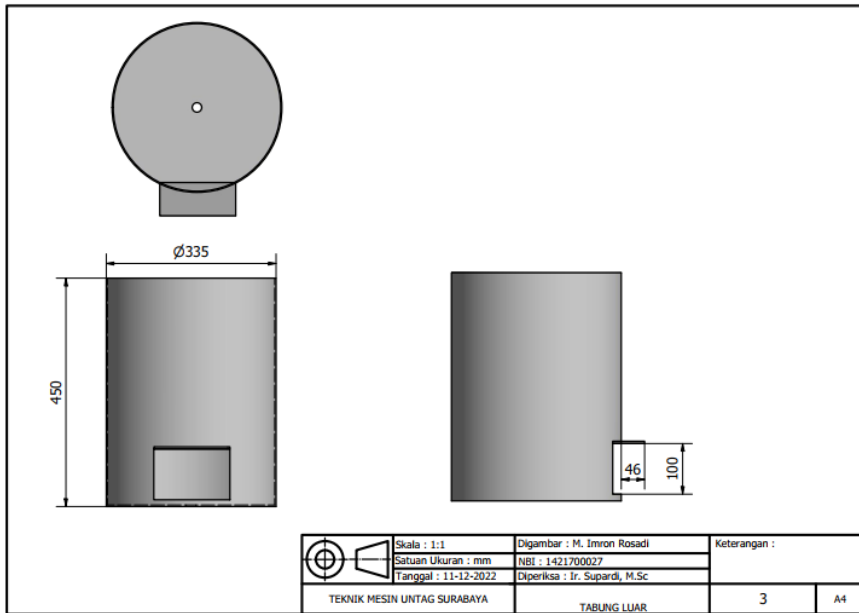
Lampiran 13 Poros Pengupas



Lampiran 14 Tabung Dalam Pegupas

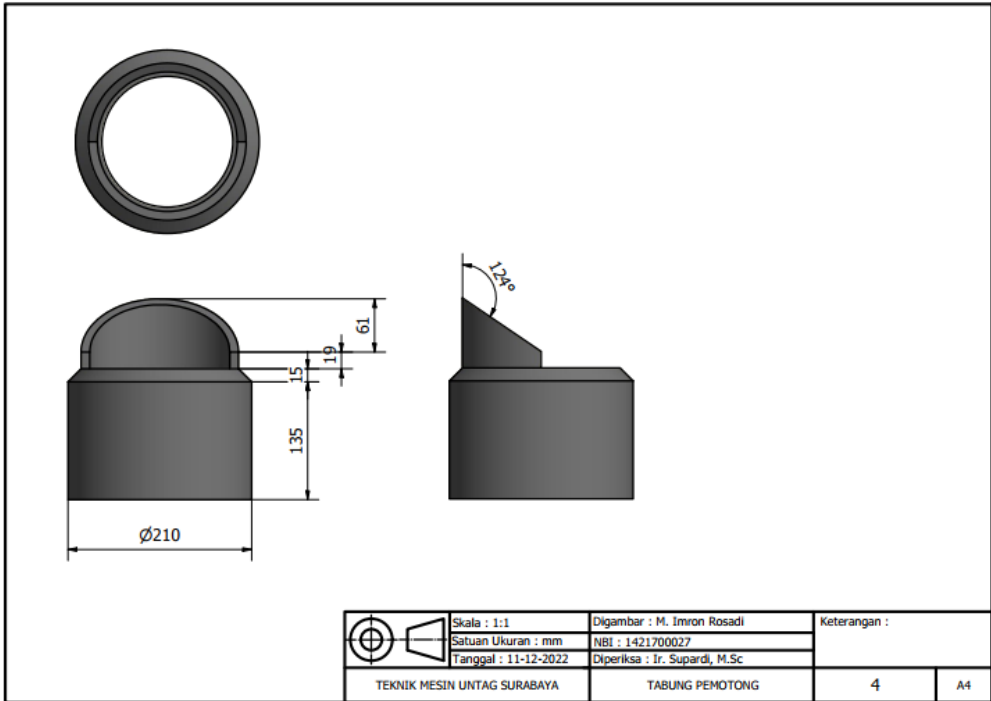


Lampiran 15 Tabung Luar

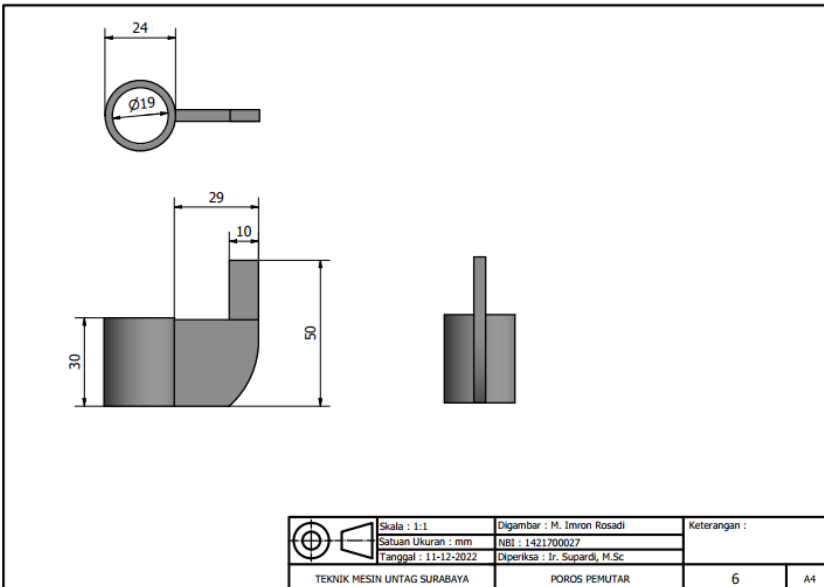


	Skala : 1:1	Digambar : M. Imron Rosadi	Keterangan :	
	Satuan Ukuran : mm	NBI : 1421700027		
	Tanggal : 11-12-2022	Diperiksa : Ir. Supardi, M.Sc		
TEKNIK MESIN UNTAG SURABAYA	TABUNG LUAR	3	A4	

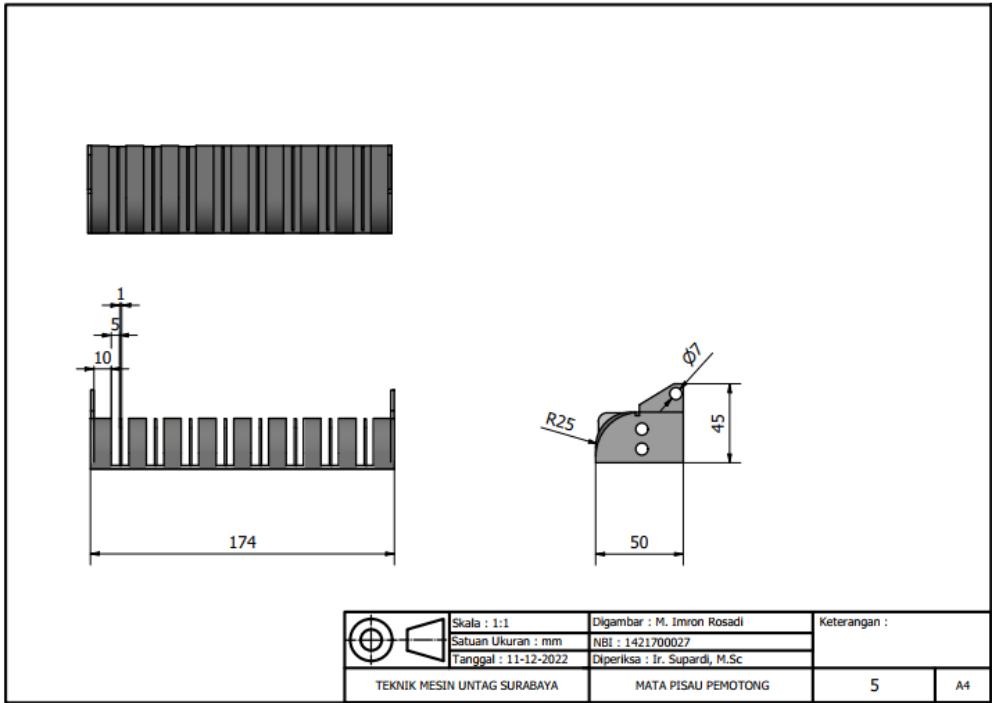
Lampiran 16 Tabung Pemotong



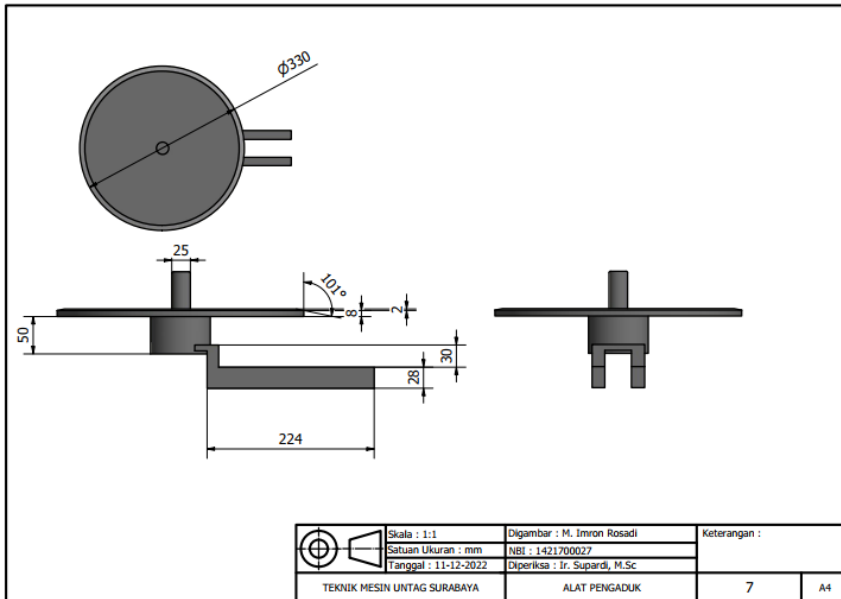
Lampiran 17 Poros Pemutar



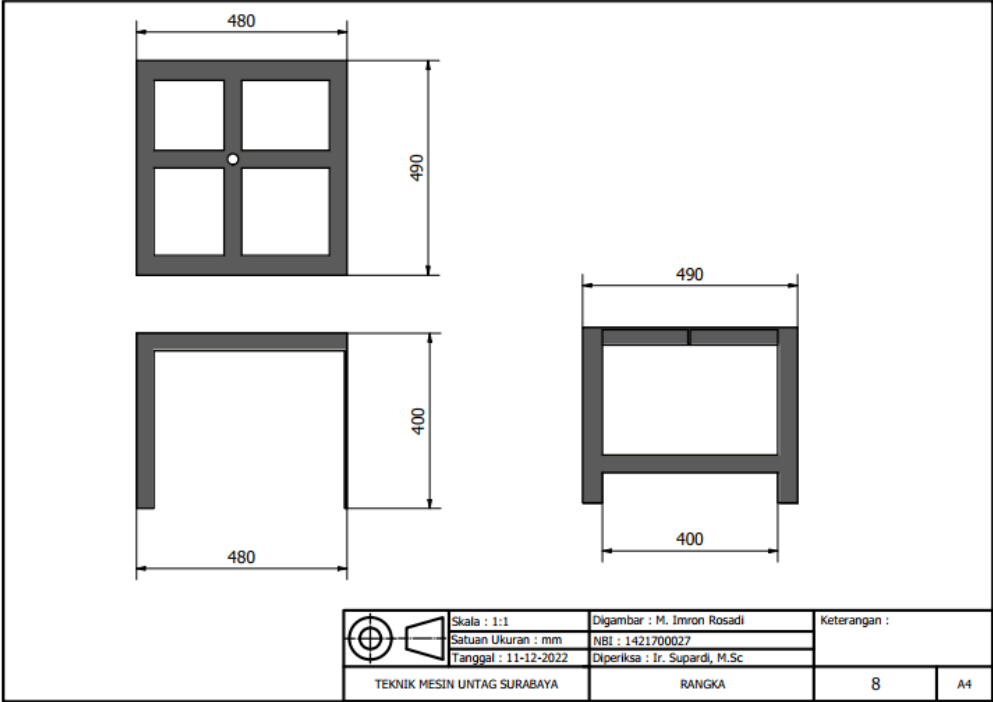
Lampiran 18 Mata Pisau Pemetong



Lampiran 19 Alat Pengaduk



Lampiran 20 Rangka



jurnal 2

ORIGINALITY REPORT

16%

SIMILARITY INDEX

13%

INTERNET SOURCES

10%

PUBLICATIONS

5%

STUDENT PAPERS

PRIMARY SOURCES

1	ejournal.unesa.ac.id Internet Source	4%
2	media.neliti.com Internet Source	3%
3	Didik Sugiyanto, Resma Adi Pangestu, Yefri Chan, Aep Saepul Uyun. "Design and Performance Testing of Semi-Automatic Machine for Potato Peeler-Cutter", Jurnal Teknik Pertanian Lampung (Journal of Agricultural Engineering), 2022 Publication	3%
4	repository.untag-sby.ac.id Internet Source	3%
5	Submitted to Universitas 17 Agustus 1945 Surabaya Student Paper	2%
6	journal-uim-makassar.ac.id Internet Source	1%
7	Zulkifli Manguluang, Fadhli Rahman, Sahabuddin Sahabuddin, Ervin Pramana.	<1%

"RANCANG BANGUN PENGUPAS DAN
PEMBERSIH KULIT KENTANG DALAM
INDUSTRI RUMAH TANGGA", ILTEK : Jurnal
Teknologi, 2021
Publication

Exclude quotes Off
Exclude bibliography Off

Exclude matches Off