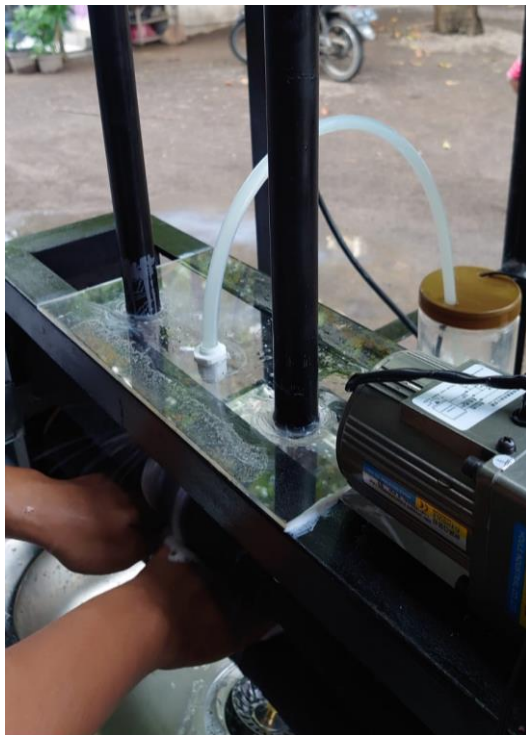


LAMPIRAN



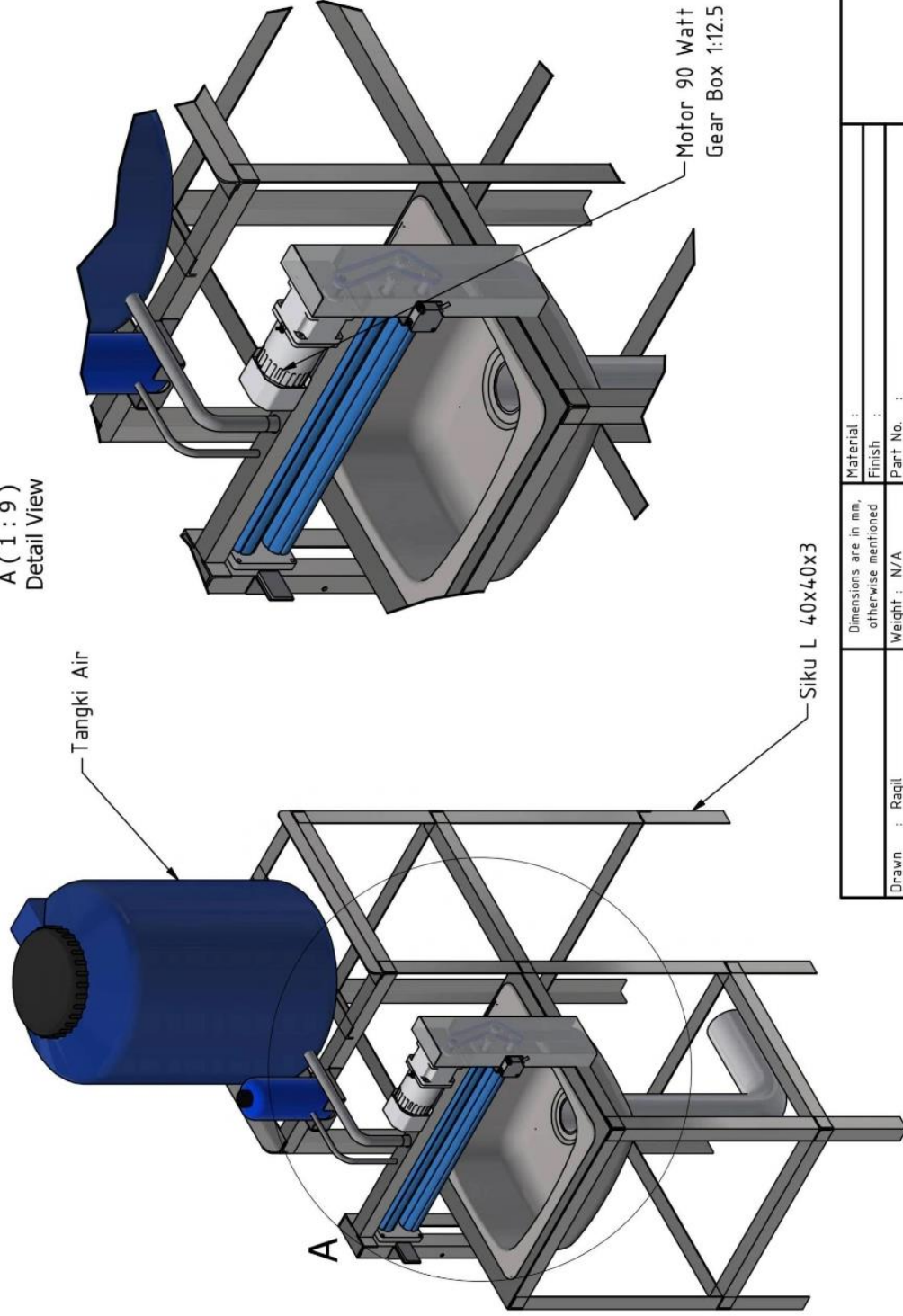




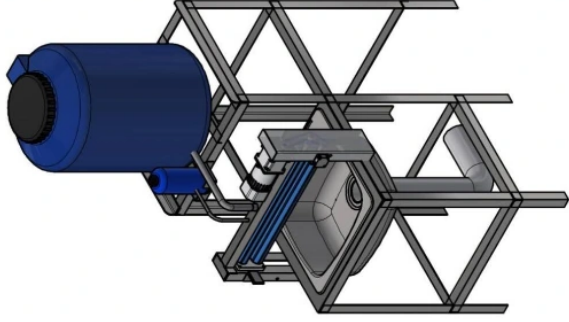
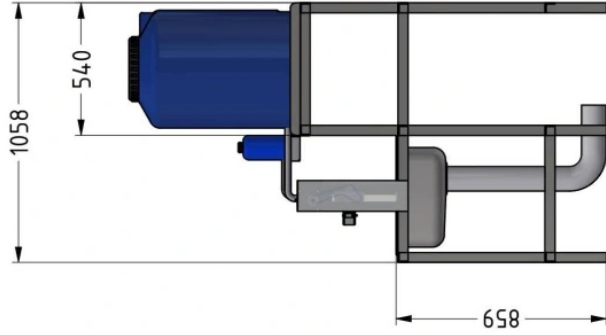
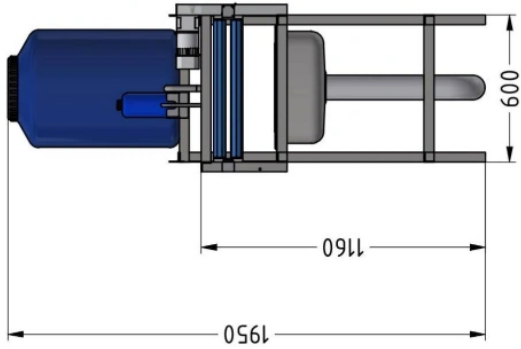
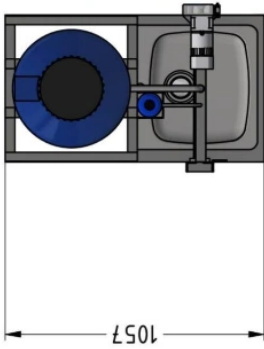




A (1 : 9)
Detail View



Material :			
Finish :			
Part No. :			
Description :	Iso View		
Part Name :	Mesin Pencuci Tangan		
Rev. :	0		
		B5	
		Sheet : 1 of 2	
Dimensions are in mm, otherwise mentioned			
Drawn : Ragil	Weight : N/A		
Checked : Hlkam	Date : 6/14/2022		
Approved :	Scale :		
Client :	Do not scale drawing		
Project :	Mesin Pencuci Tangan		
Dwg No. :	Full Assy		



Material :		
Finish :		
Drawn : Ragil	Weight : N/A	
Checked : Hikam	Date : 6/14/2022	
Approved :	Scale :	
Client :	Do not scale drawing	
Project : Mesin Pencuci Tangan	Dwg No. : Full Assy	
		Rev. : 0
		B5
		Sheet : 2 of 2