

LAMPIRAN

Lampiran 1 Hasil Turnitin

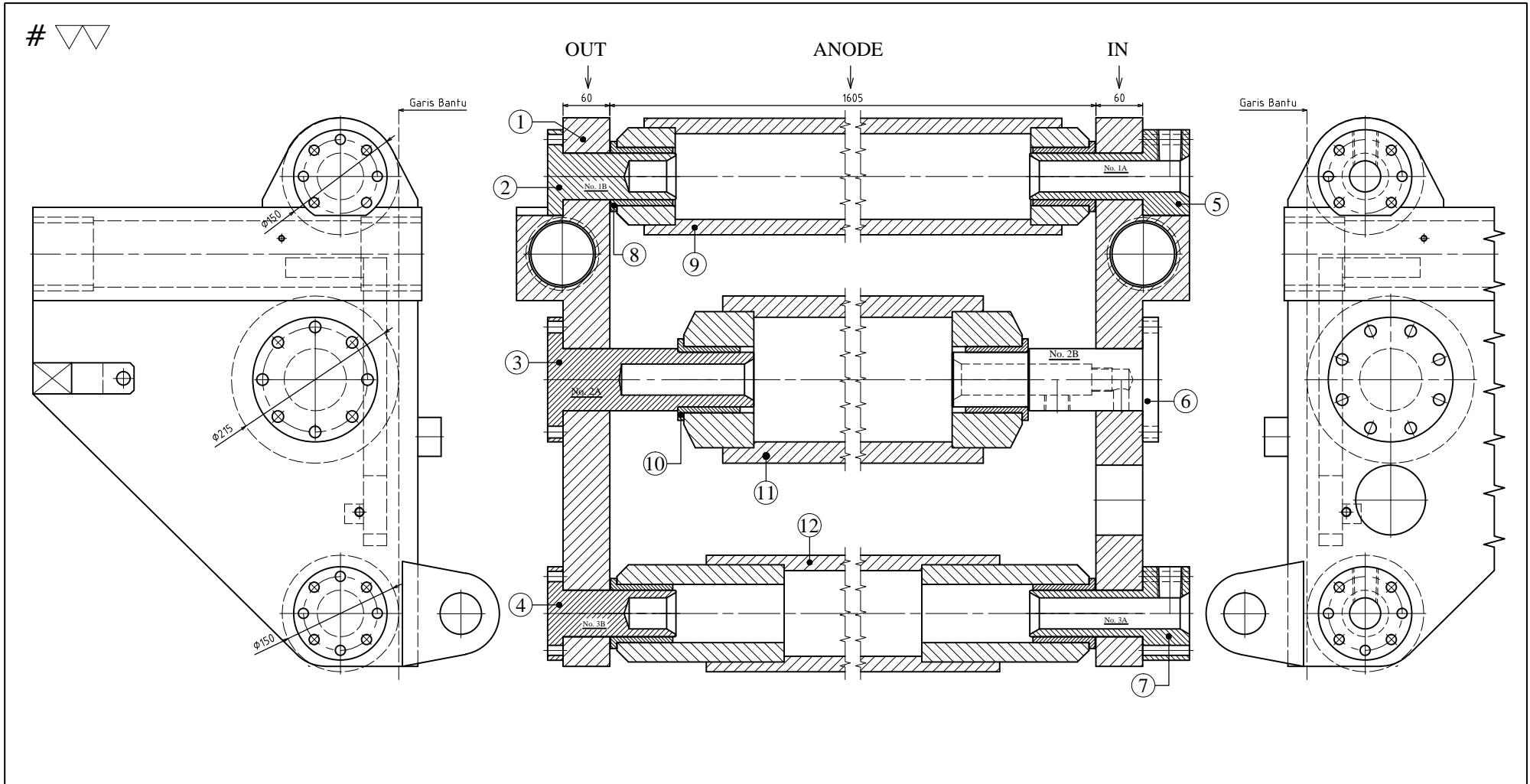


8	ejournal.itats.ac.id Internet Source	1 %
9	text-id.123dok.com Internet Source	1 %
10	docplayer.net Internet Source	1 %
11	docplayer.info Internet Source	1 %
12	ejournal.poltekdedc.ac.id Internet Source	<1 %
13	ejournal3.undip.ac.id Internet Source	<1 %
14	yogiiskandar1110711078.blogspot.com Internet Source	<1 %
15	www.kontan.co.id Internet Source	<1 %

Exclude quotes Off


Exclude matches Off

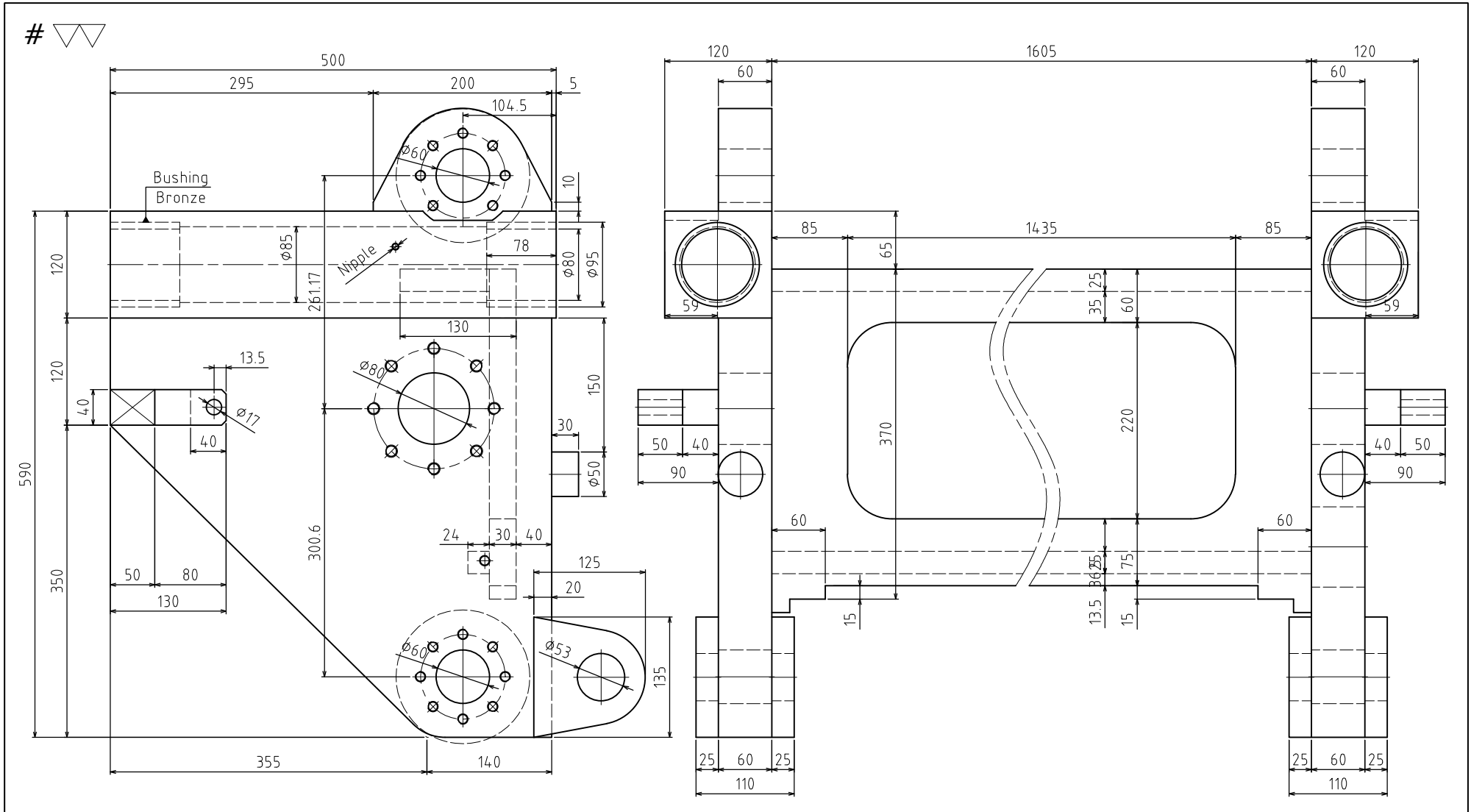
Exclude bibliography Off



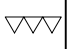
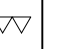
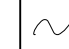

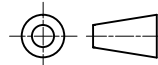
NO	QTY	DESCRIPTION	MAT'L
1.	1	Frame	SS400 & Bronze
2.	1	Pen No. 1B	SCM440
3.	1	Pen No. 2A	SCM440
4.	1	Pen No. 3B	SCM440
5.	1	Pen No. 1A	SCM440
6.	1	Pen No. 2B	SCM440
7.	1	Pen No. 3A	SCM440
8.	4	Bushing No. 1&3	Bronze
9.	1	Roll No. 1	Hollow & SCM440
10.	2	Bushing No. 2	Bronze
11.	1	Roll No. 2	Hollow & SCM440
12.	1	Roll No. 3	Hollow & SCM440

ROUGHNESS				HEAT TREATMENT		REVISION RECORD			
SURFACE JIS	▽▽▽	▽▽	▽	-	HARDNESS	⊕	▭	QTY	MAT'L
	R Max	6.3S	12.5S					25S	-
						05.08.20	FD	BD	NVT

PART NAME	
Assembly	
PART NUMBER	
T-0000	
	PT. ARTODA BERSAUDARA
	Jln. Kemayoran Baru 19-21 SURABAYA 60175 - INDONESIA

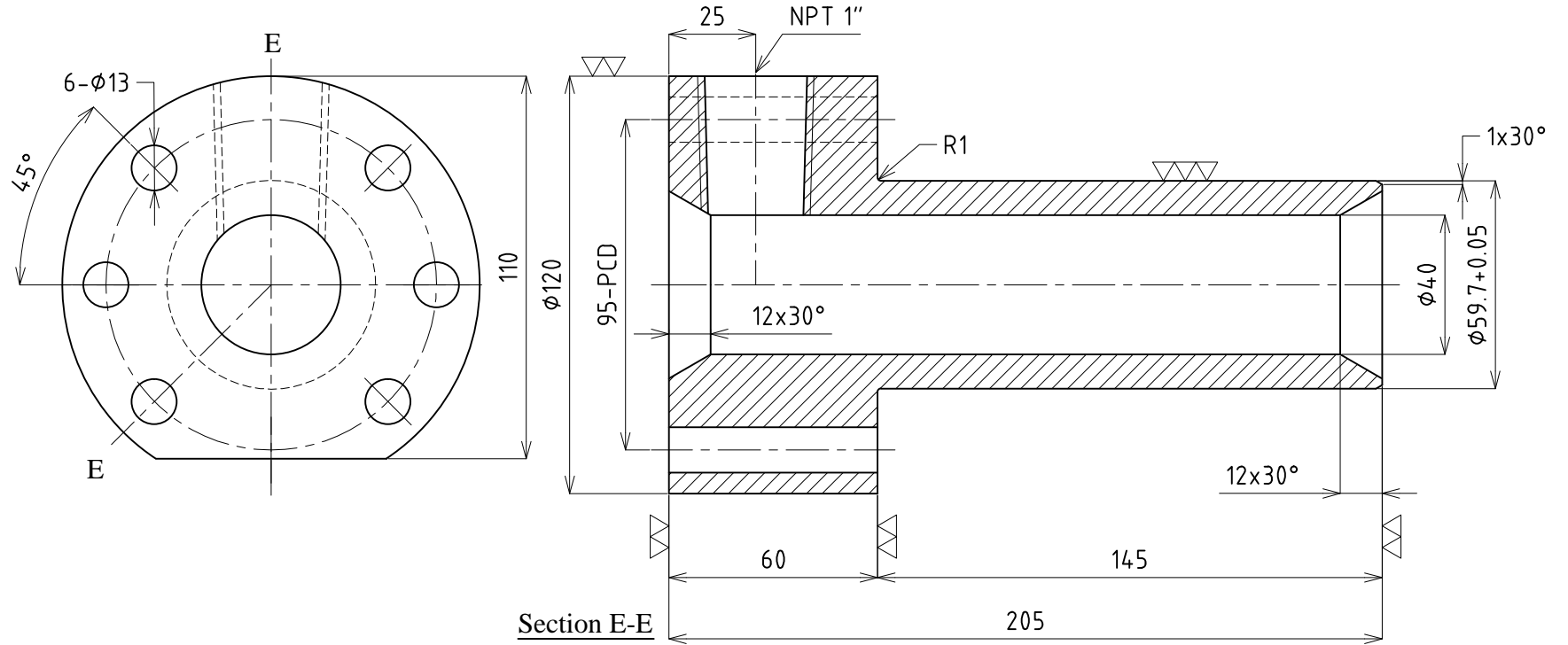



PART NAME		Frame Pinch Roll Shaft	
PART NUMBER		T-0000	
 PT. ARTODA BERSAUDARA Jln. Kemayoran Baru 19-21 SURABAYA 60175 - INDONESIA			

ROUGHNESS				HEAT TREATMENT		REVISION RECORD				
SURFACE					-		QTY	MAT'L	PART NUMBER	
JIS							PCS	MAT'L	T-0000	
R Max	6.3S	12.5S	25S	-	CASE DEPTH	DATE	DWG	CHKD	APPR	
						05.08.20	FD	BD	NVT	

#

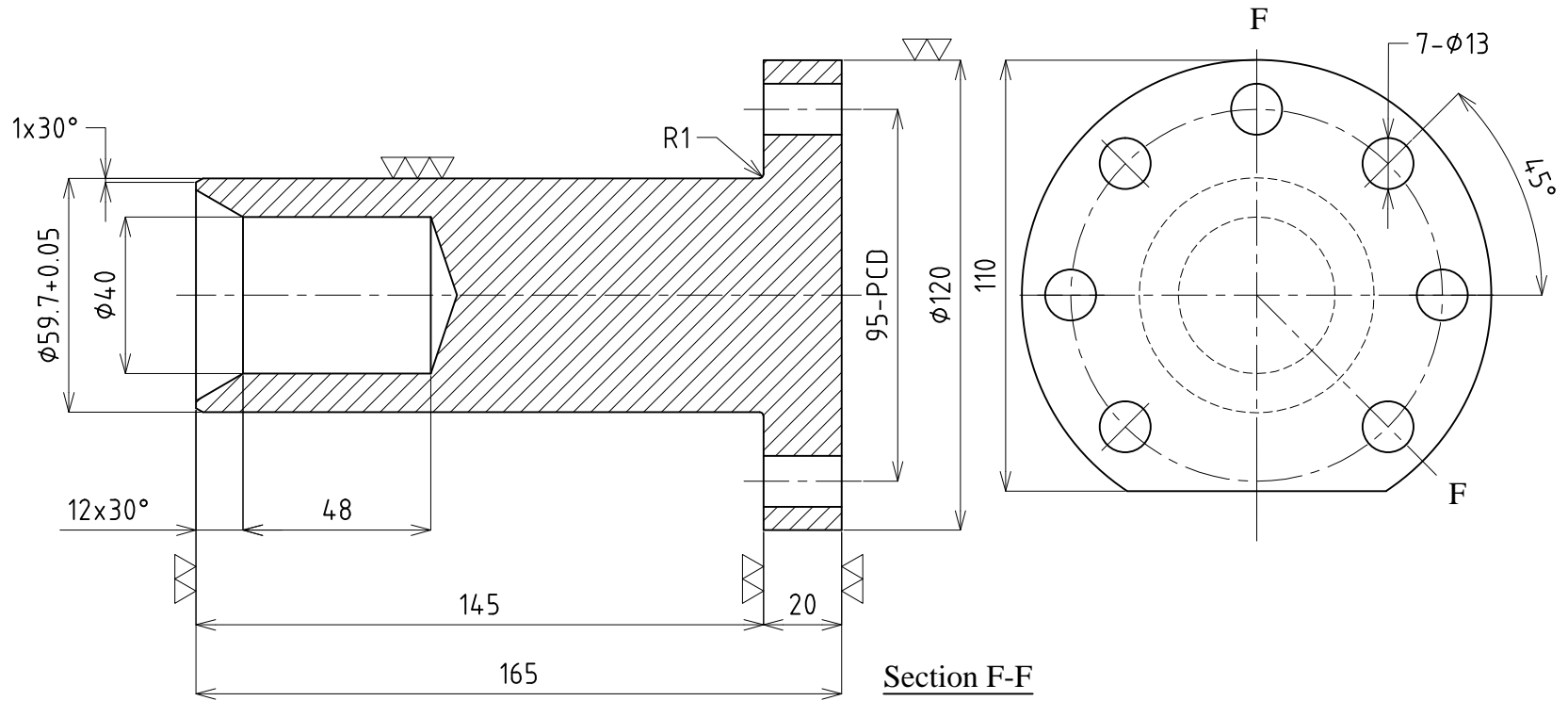
No. 1A



<table border="1"> <thead> <tr> <th colspan="4">ROUGHNESS</th> <th colspan="2">HEAT TREATMENT</th> <th colspan="4">REVISION RECORD</th> </tr> </thead> <tbody> <tr> <td>SURFACE JIS</td> <td></td> <td></td> <td></td> <td></td> <td>-</td> <td>HARDNESS</td> <td></td> <td></td> <td>QTY</td> <td>MAT'L</td> </tr> <tr> <td>R Max</td> <td>6.3S</td> <td>12.5S</td> <td>25S</td> <td>-</td> <td>-</td> <td>CASE DEPTH</td> <td>DATE</td> <td>DWG</td> <td>CHKD</td> <td>APPR</td> </tr> <tr> <td></td> <td></td> <td></td> <td></td> <td></td> <td></td> <td></td> <td>05.08.20</td> <td>FD</td> <td>BD</td> <td>NVT</td> </tr> </tbody> </table>					ROUGHNESS				HEAT TREATMENT		REVISION RECORD				SURFACE JIS					-	HARDNESS			QTY	MAT'L	R Max	6.3S	12.5S	25S	-	-	CASE DEPTH	DATE	DWG	CHKD	APPR								05.08.20	FD	BD	NVT	PART NAME Pen No. 1A	
					ROUGHNESS				HEAT TREATMENT		REVISION RECORD																																						
SURFACE JIS					-	HARDNESS			QTY	MAT'L																																							
R Max	6.3S	12.5S	25S	-	-	CASE DEPTH	DATE	DWG	CHKD	APPR																																							
							05.08.20	FD	BD	NVT																																							
										PART NUMBER T-0000																																							
										 PT. ARTODA BERSAUDARA Jln. Kemayoran Baru 19-21 SURABAYA 60175 - INDONESIA																																							

#

No. 1B

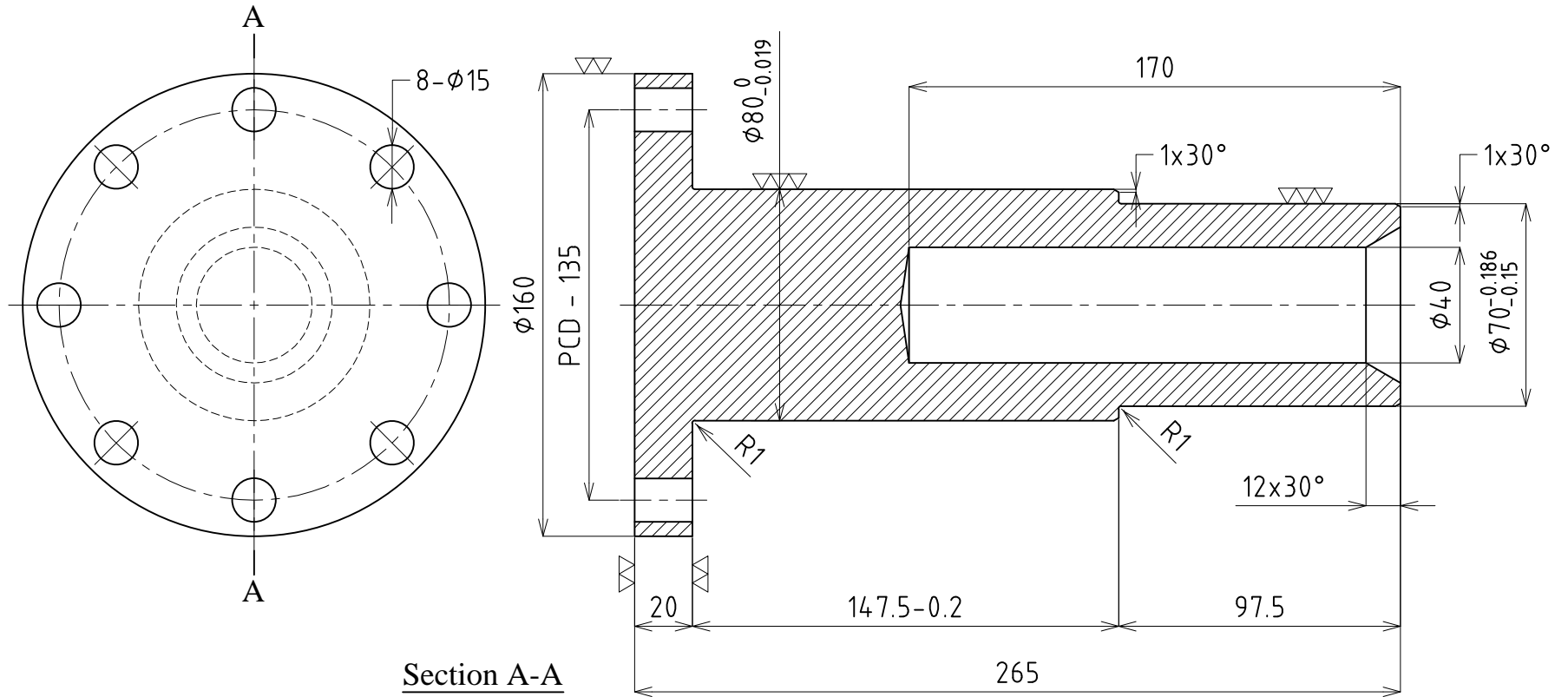


PART NAME		Pen No. 1B	
PART NUMBER		T-0000	
	PT. ARTODA BERSAUDARA		
	Jln. Kemayoran Baru 19-21 SURABAYA 60175 - INDONESIA		

ROUGHNESS				HEAT TREATMENT		REVISION RECORD							
SURFACE JIS					-			QTY	MAT'L	DATE	DWG	CHKD	APPR
R Max	6.3S	12.5S	25S	-				PCS	MAT'L				
								05.08.20	FD			BD	NVT

#

No. 2A



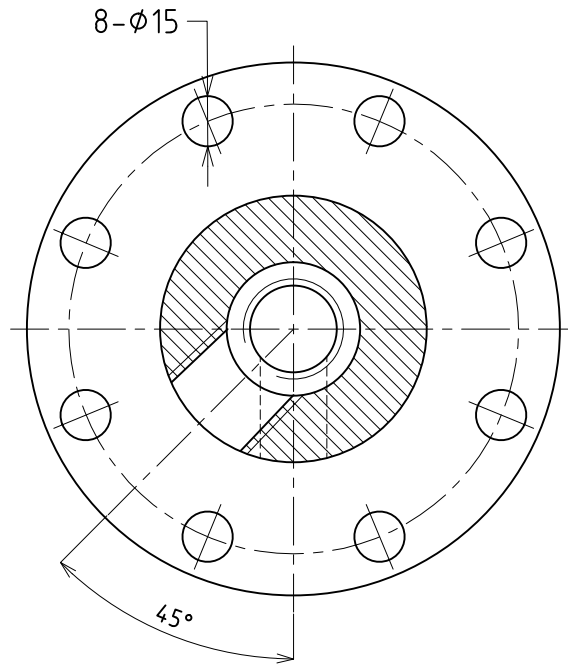
Section A-A

ROUGHNESS					HEAT TREATMENT		REVISION RECORD			
SURFACE JIS						HARDNESS			QTY	MAT'L
R Max	6.3S	12.5S	25S	-		CASE DEPTH	DATE	DWG	CHKD	APPR
							05.08.20	FD	BD	NVT

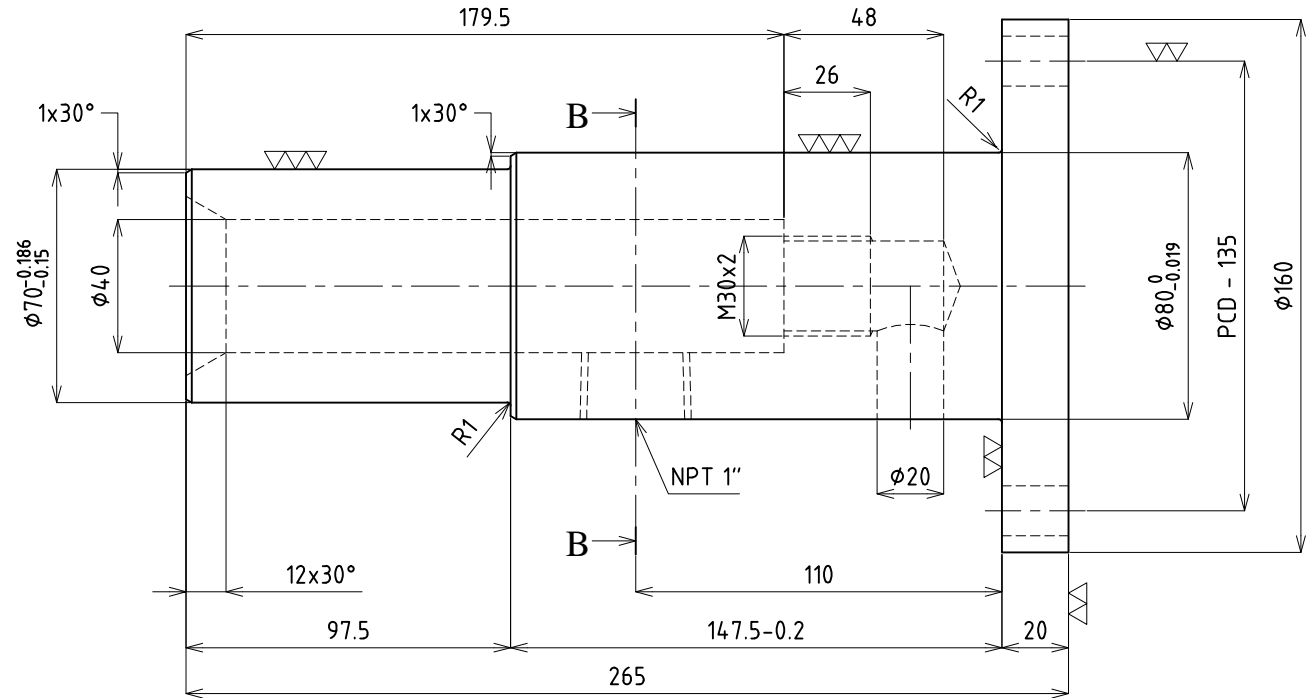
PART NAME	
Pen No. 2A	
PART NUMBER	
T-0000	
	PT. ARTODA BERSAUDARA Jln. Kemayoran Baru 19-21 SURABAYA 60175 - INDONESIA

#

No. 2B



Section B-B

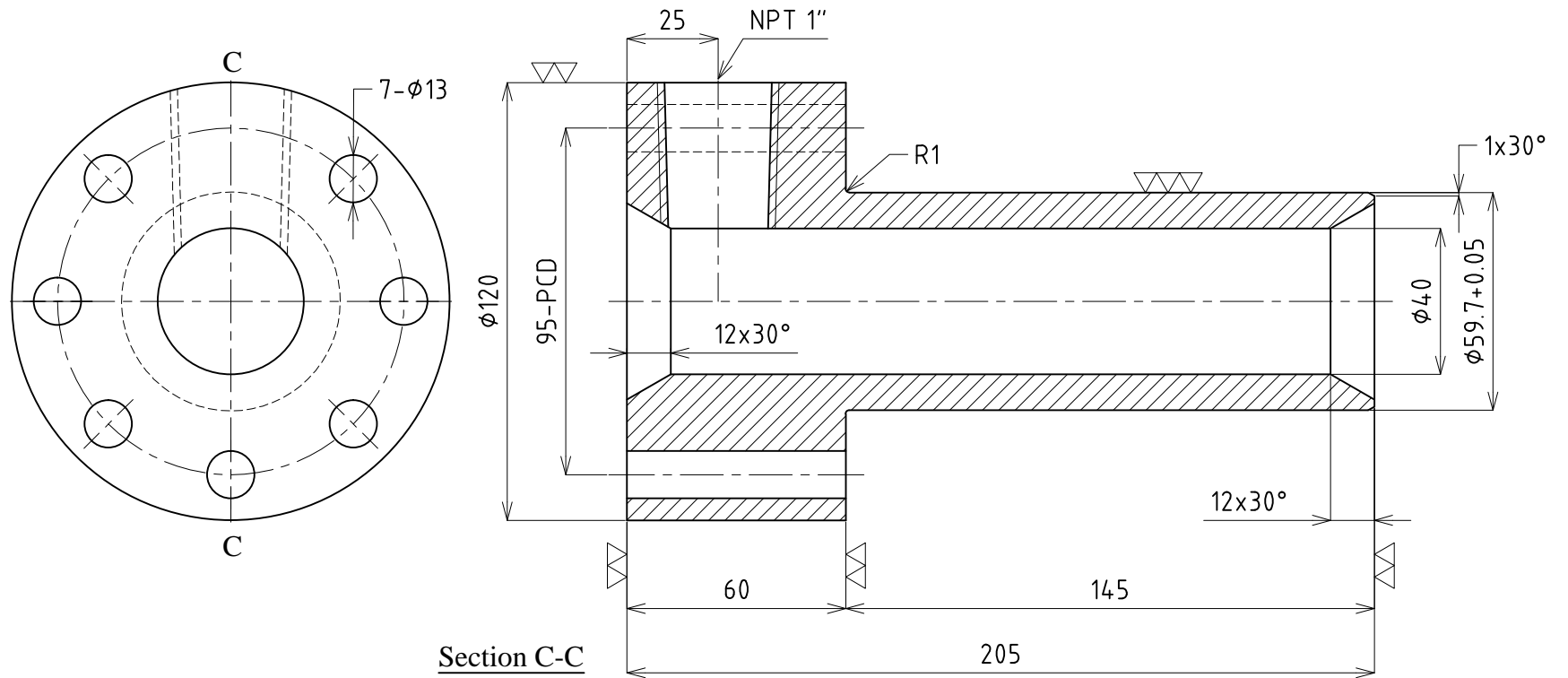


PART NAME		Pen No. 2B	
PART NUMBER		T-0000	
PT. ARTODA BERSAUDARA Jln. Kemayoran Baru 19-21 SURABAYA 60175 - INDONESIA			

ROUGHNESS				HEAT TREATMENT		REVISION RECORD			
SURFACE JIS					HARDNESS			QTY	MAT'L
R Max	6.3S	12.5S	25S	-	CASE DEPTH	DATE	DWG	CHKD	APPR
						05.08.20	FD	BD	NVT

#

No. 3A

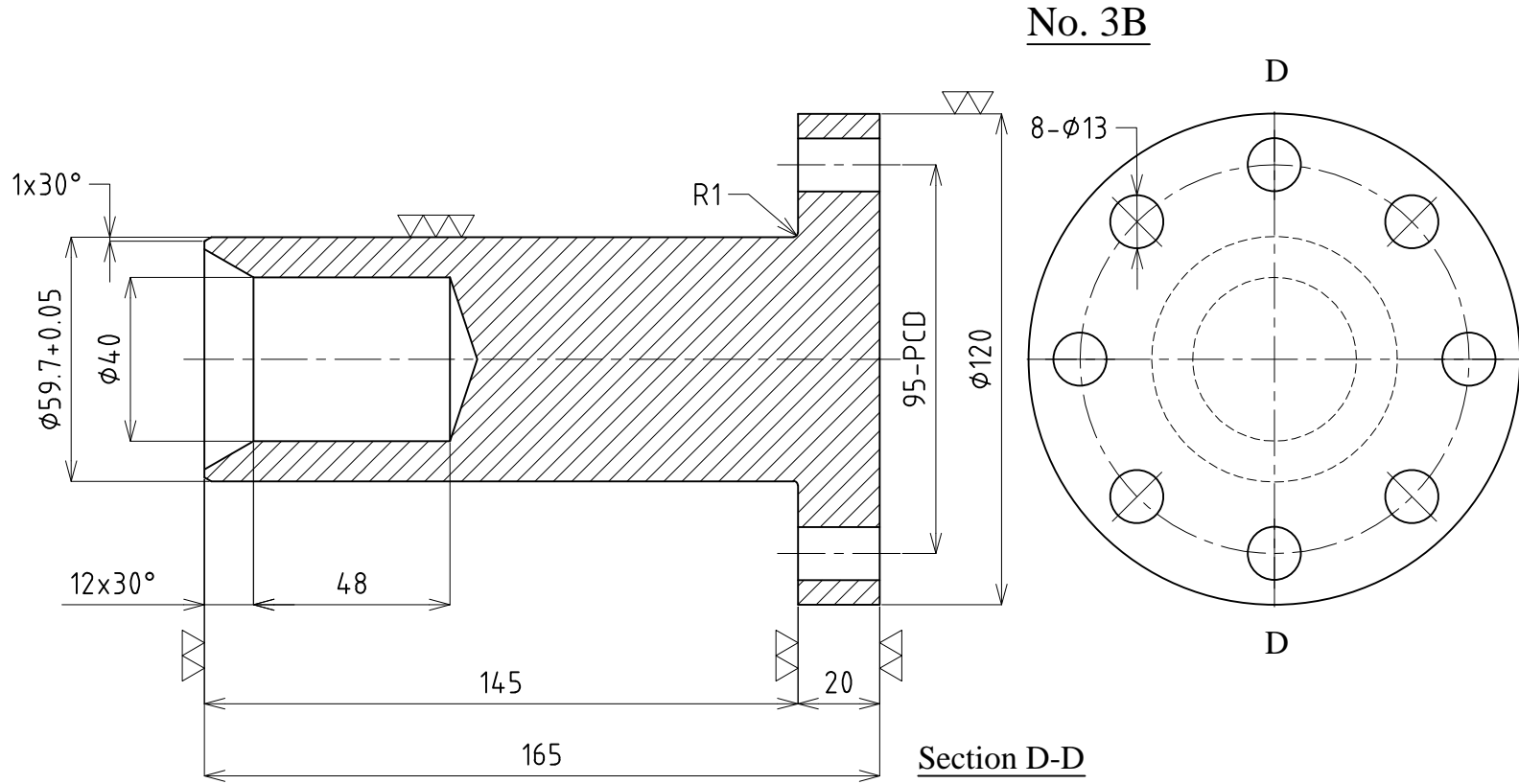


Section C-C

ROUGHNESS					HEAT TREATMENT		REVISION RECORD							
SURFACE JIS					-	-			QTY	MAT'L				
R Max	6.3S	12.5S	25S	-					DATE	DWG	CHKD	APPR	PCS	MAT'L
									05.08.20	FD	BD	NVT		

PART NAME	
Pen No. 3A	
PART NUMBER	
T-0000	
	PT. ARTODA BERSAUDARA Jln. Kemayoran Baru 19-21 SURABAYA 60175 - INDONESIA

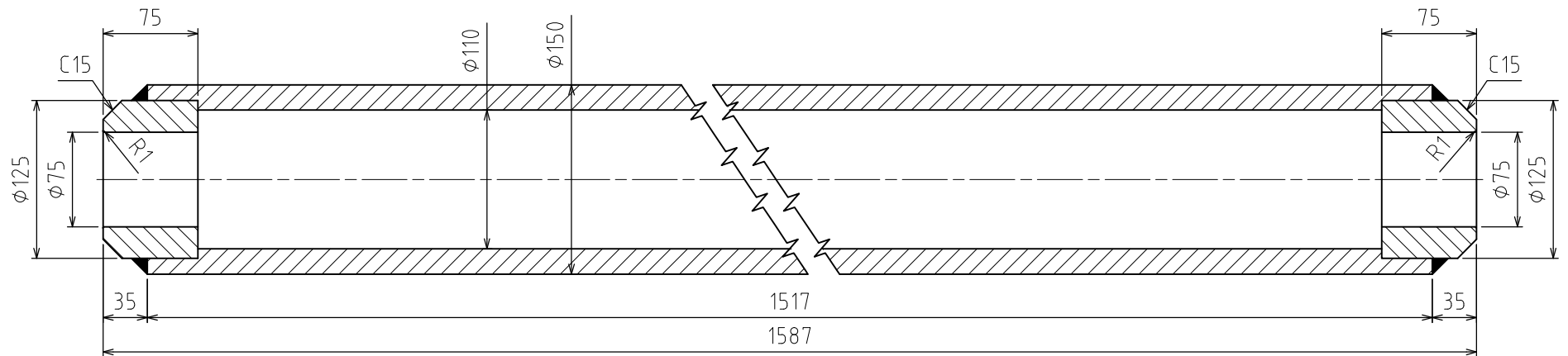
#



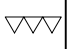
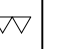
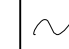

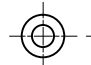
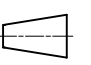
<table border="1"> <thead> <tr> <th colspan="4">ROUGHNESS</th> <th colspan="2">HEAT TREATMENT</th> <th colspan="4">REVISION RECORD</th> </tr> </thead> <tbody> <tr> <td>SURFACE JIS</td> <td></td> <td></td> <td></td> <td></td> <td>-</td> <td>HARDNESS</td> <td></td> <td></td> <td>QTY</td> <td>MAT'L</td> </tr> <tr> <td>R Max</td> <td>6.3S</td> <td>12.5S</td> <td>25S</td> <td>-</td> <td>-</td> <td>CASE DEPTH</td> <td>DATE</td> <td>DWG</td> <td>CHKD</td> <td>APPR</td> </tr> <tr> <td></td> <td></td> <td></td> <td></td> <td></td> <td></td> <td></td> <td>05.08.20</td> <td>FD</td> <td>BD</td> <td>NVT</td> </tr> </tbody> </table>					ROUGHNESS				HEAT TREATMENT		REVISION RECORD				SURFACE JIS					-	HARDNESS			QTY	MAT'L	R Max	6.3S	12.5S	25S	-	-	CASE DEPTH	DATE	DWG	CHKD	APPR								05.08.20	FD	BD	NVT	PART NAME Pen No. 3B	
					ROUGHNESS				HEAT TREATMENT		REVISION RECORD																																						
SURFACE JIS					-	HARDNESS			QTY	MAT'L																																							
R Max	6.3S	12.5S	25S	-	-	CASE DEPTH	DATE	DWG	CHKD	APPR																																							
							05.08.20	FD	BD	NVT																																							
										PART NUMBER T-0000																																							
										PT. ARTODA BERSAUDARA Jln. Kemayoran Baru 19-21 SURABAYA 60175 - INDONESIA																																							

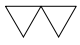


Roll no 1

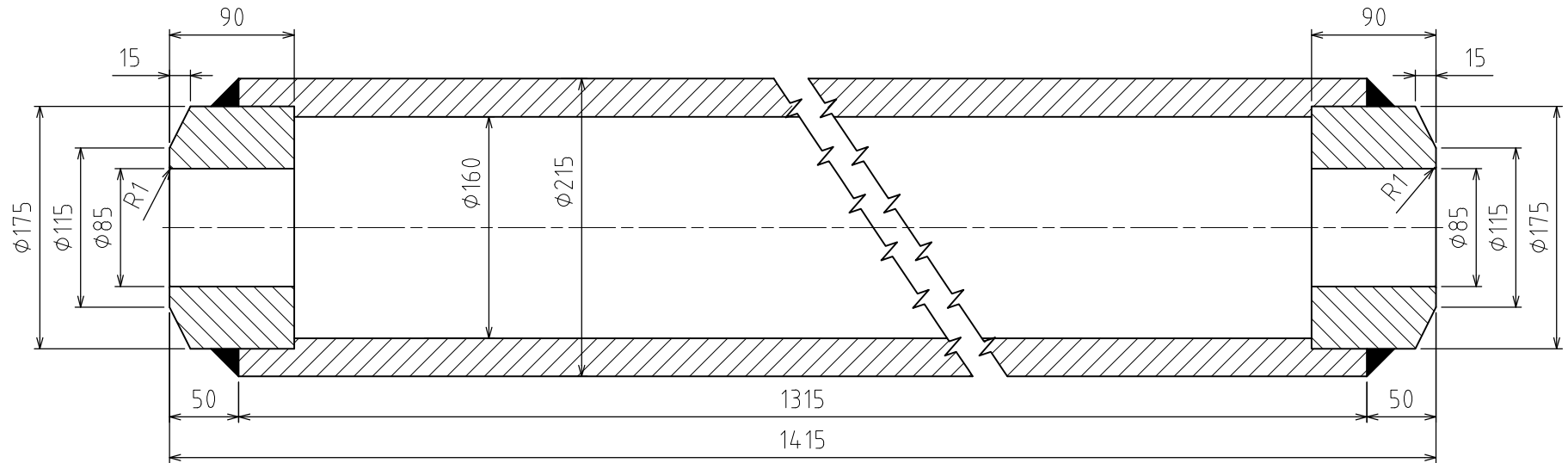


PART NAME	
Pinch Roll Shaft	
PART NUMBER	
T-0000	
	PT. ARTODA BERSAUDARA Jln. Kemayoran Baru 19-21 SURABAYA 60175 - INDONESIA


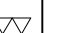


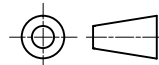
ROUGHNESS				HEAT TREATMENT		REVISION RECORD			
SURFACE JIS					HARDNESS			QTY	MAT'L
R Max	6.3S	12.5S	25S	-	CASE DEPTH	DATE	DWG	CHKD	APPR
						05.08.20	FD	BD	NVT



Roll no 2

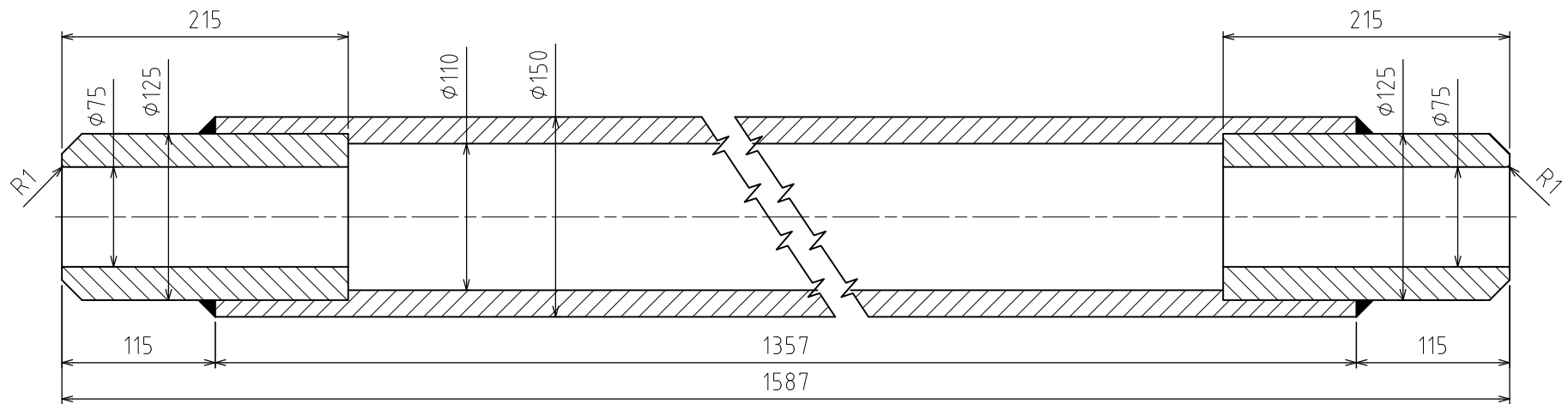



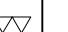
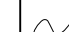

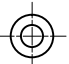
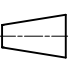
PART NAME	
Pinch Roll Shaft	
PART NUMBER	
T-0000	
 PT. ARTODA BERSAUDARA Jln. Kemayoran Baru 19-21 SURABAYA 60175 - INDONESIA	

ROUGHNESS				HEAT TREATMENT		REVISION RECORD				
SURFACE JIS					HARDNESS		QTY	MAT'L	PART NUMBER	
R Max	6.3S	12.5S	25S	-	CASE DEPTH		PCS	MAT'L	T-0000	
						DATE	DWG	CHKD	APPR	
						05.08.20	FD	BD	NVT	



Roll no 3

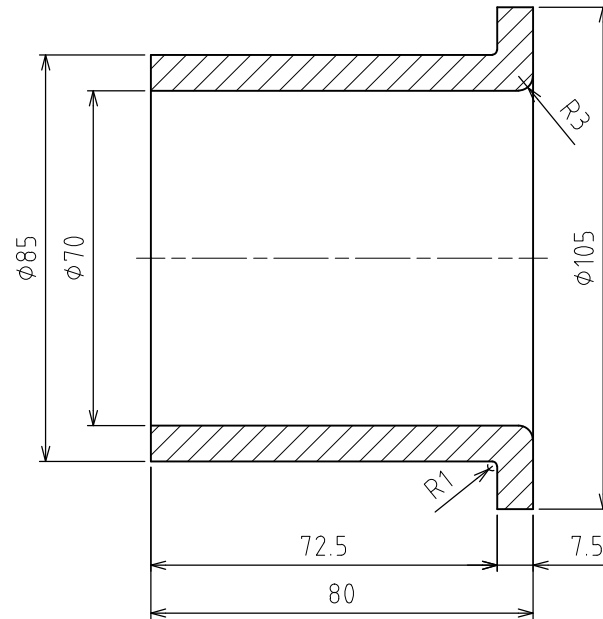


ROUGHNESS					HEAT TREATMENT		REVISION RECORD					
SURFACE JIS					-	-			QTY	MAT'L		
R Max	6.3S	12.5S	25S	-					DATE	DWG	CHKD	APPR
									05.08.20	FD	BD	NVT

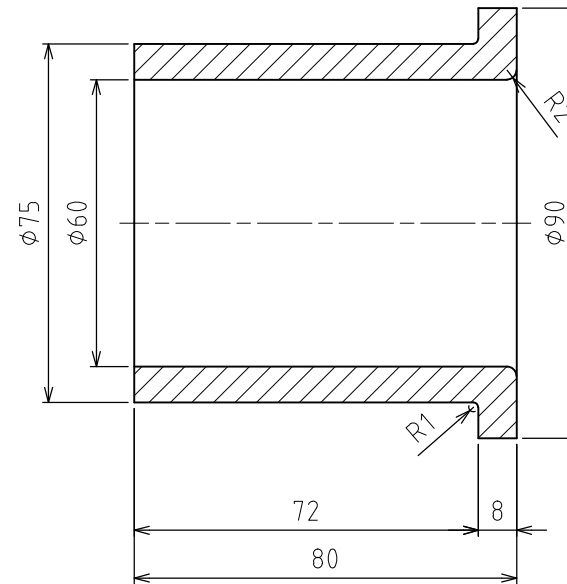
PART NAME	
Pinch Roll Shaft	
PART NUMBER	
T-0000	
 PT. ARTODA BERSAUDARA Jln. Kemayoran Baru 19-21 SURABAYA 60175 - INDONESIA	




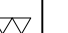


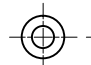
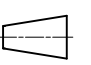
Bushing no 2
2pcs



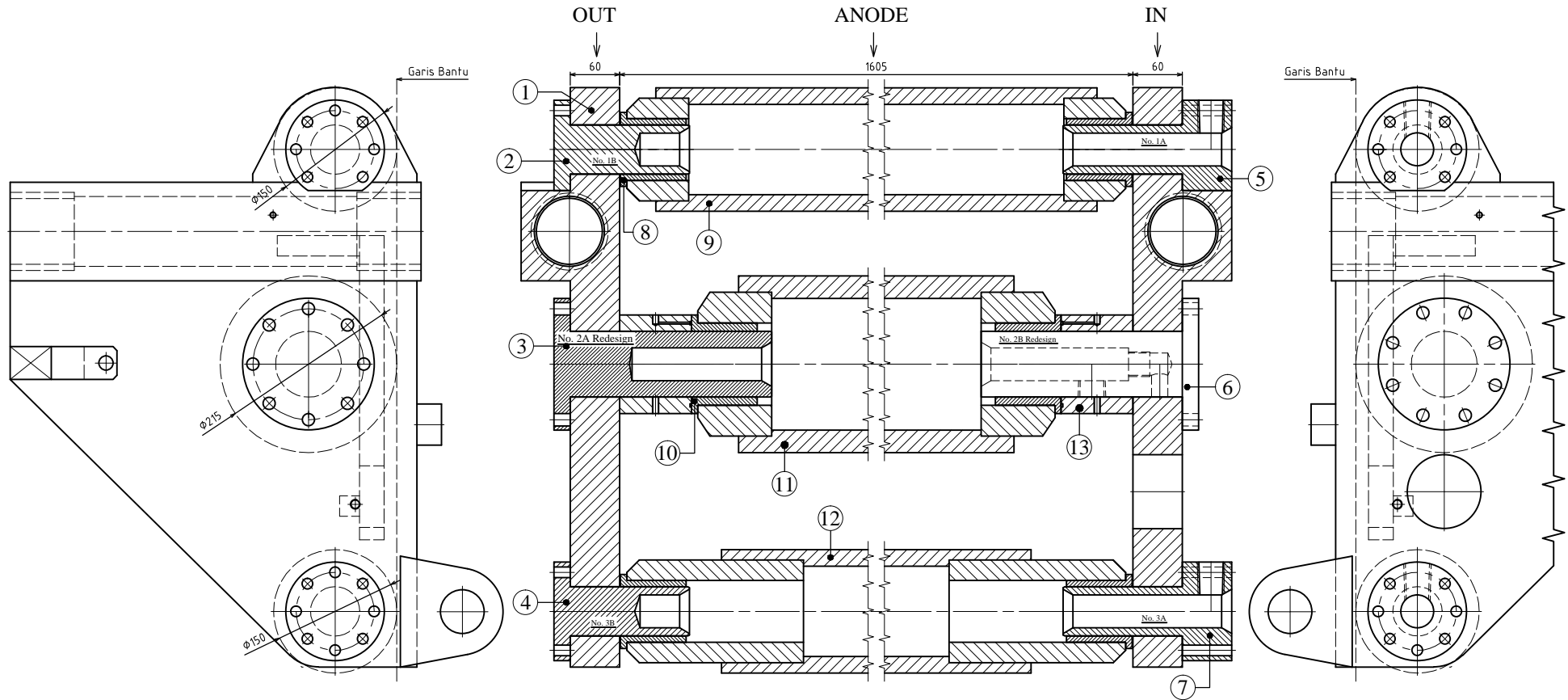
Bushing no 1&3
4pcs



PART NAME		Pinch Roll Shaft	
PART NUMBER		T-0000	
		PT. ARTODA BERSAUDARA Jln. Kemayoran Baru 19-21 SURABAYA 60175 - INDONESIA	

ROUGHNESS				HEAT TREATMENT		REVISION RECORD			
SURFACE JIS								QTY	MAT'L
R Max	6.3S	12.5S	25S	-		DATE	DWG	CHKD	APPR
						05.08.20	FD	BD	NVT

#

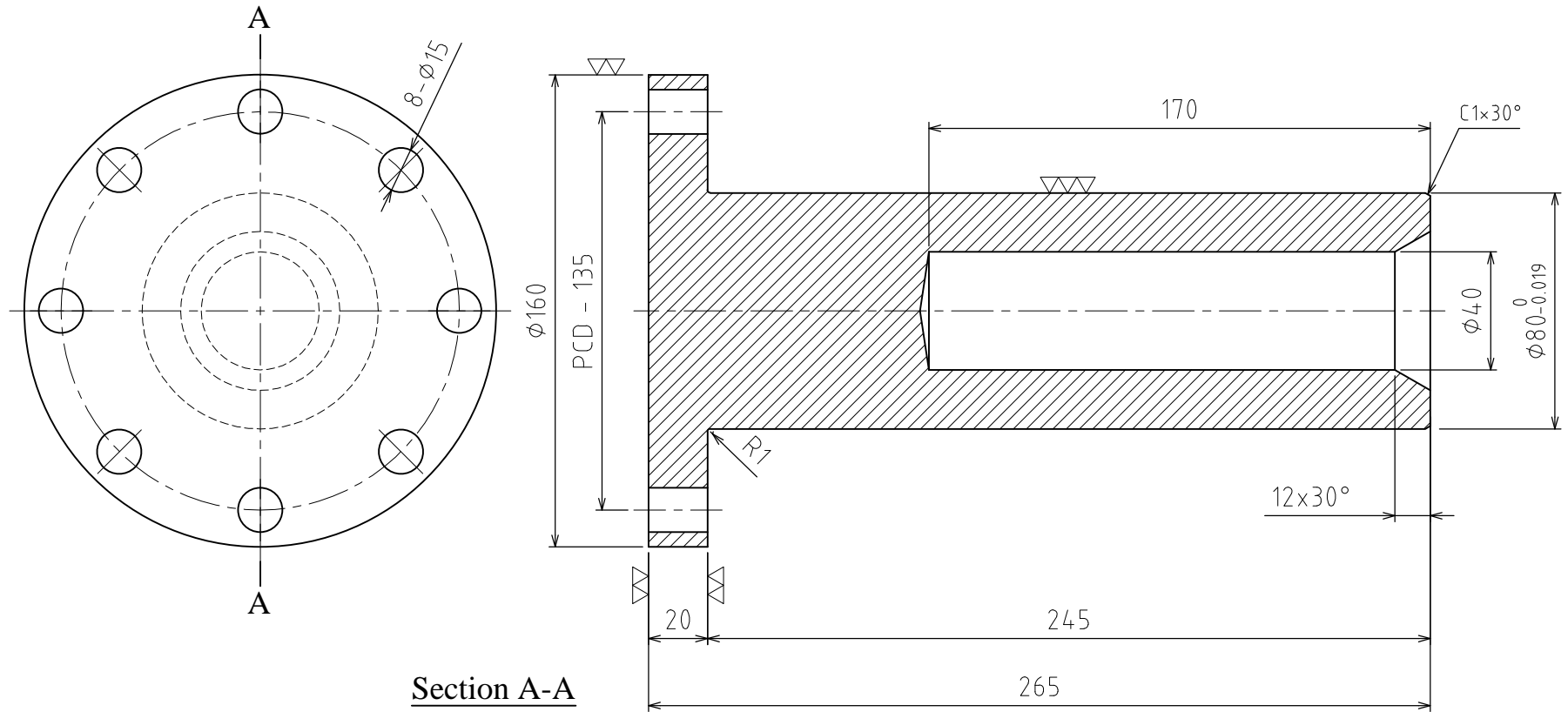


NO	QTY	DESCRIPTION	MATL
1.	1	Frame	SS400 & Bronze
2.	1	Pen No. 1B	SCM440
3.	1	Pen No. 2A Redesign	AISI 4340
4.	1	Pen No. 3B	SCM440
5.	1	Pen No. 1A	SCM440
6.	1	Pen No. 2B Redesign	AISI 4340
7.	1	Pen No. 3A	SCM440
8.	4	Bushing No. 1&3	Bronze
9.	1	Roll No. 1	Hollow & SCM440
10.	2	Bushing No. 2 Redesign	Bronze
11.	1	Roll No. 2 Redesign	Hollow & SCM440
12.	1	Roll No. 3	Hollow & SCM440
13.	2	Spacer Redesign	AISI 4340

	Skala : 1 : 1	Nama : Saiful Fuad	Catatan :		
	Ukuran : m m	NIM : 1421700185			
	Tanggal : 30.06.21	Diperiksa : Eka Marlina, ST., M.Eng			
UNTAG SURABAYA		ASSEMBLY		No. 0001	A4

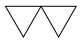
#

No. 2A Redesign

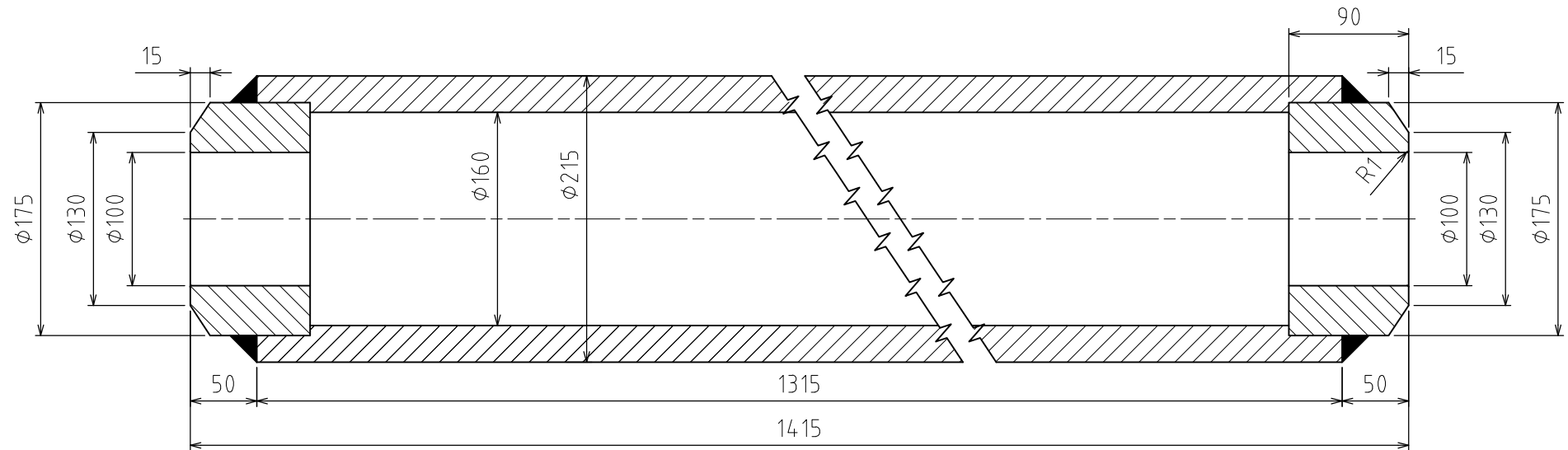


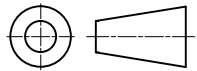
Section A-A

	Skala : 1 : 1	Nama : Saiful Fuad	Catatan :	
	Ukuran : m m	NIM : 1421700185		
	Tanggal : 30.06.21	Diperiksa : Eka Marlina, ST., M.Eng		
UNTAG SURABAYA		PINCH ROLL SHAFT		No. 0002 A4



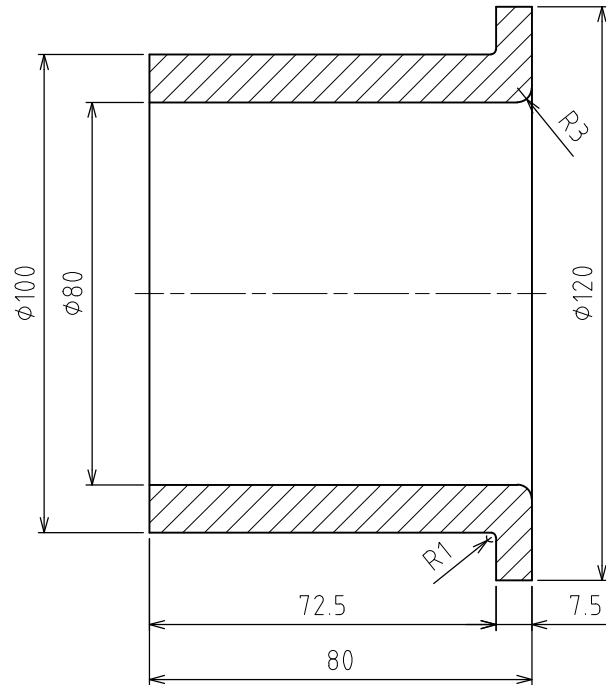
Roll no 2 Redesign



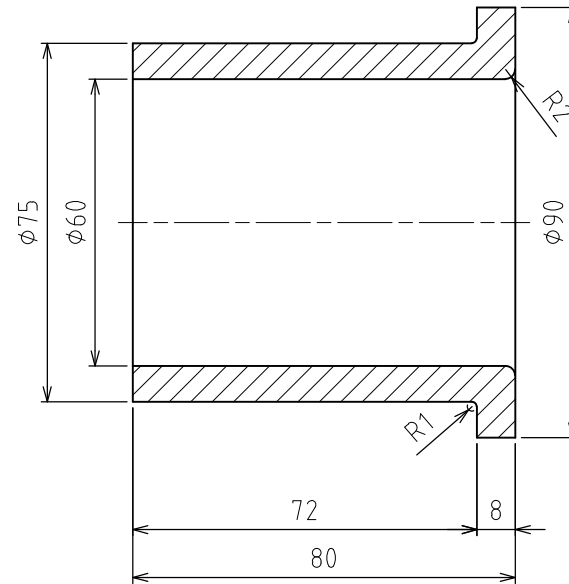
	Skala : 1 : 1	Nama : Saiful Fuad	Catatan :	
	Ukuran : m m	NIM : 1421700185		
	Tanggal : 30.06.21	Diperiksa : Eka Marlina, ST., M.Eng		
UNTAG SURABAYA	PINCH ROLL SHAFT		No. 0004	A4

▽ ▽

Bushing no 2 Redesign
2pcs



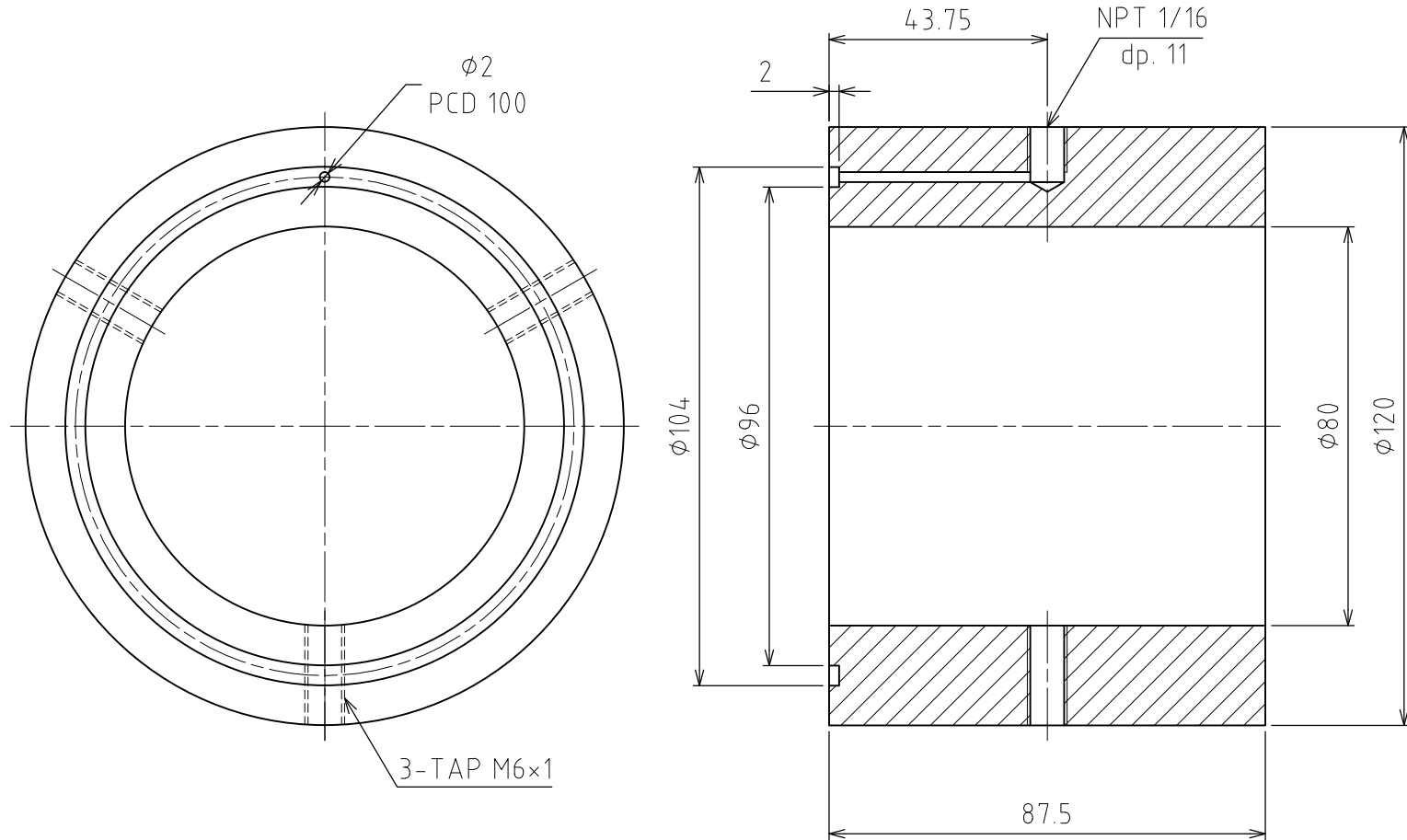
Bushing no 1&3
4pcs

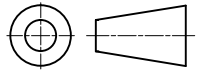


	Skala : 1 : 1	Nama : Saiful Fuad	Catatan :	
	Ukuran : m m	NIM : 1421700185		
	Tanggal : 30.06.21	Diperiksa : Eka Marlina, ST., M.Eng		
UNTAG SURABAYA		PINCH ROLL SHAFT		No. 0005 A4

▽ ▽

Spacer Redesign 2pcs



	Skala	: 1 : 1	Nama	: Saiful Fuad	Catatan :
	Ukuran	: m m	NIM	: 1421700185	
	Tanggal	: 30.06.21	Diperiksa	: Eka Marlina, ST., M.Eng	
UNTAG SURABAYA			PINCH ROLL SHAFT		No. 0006 A4